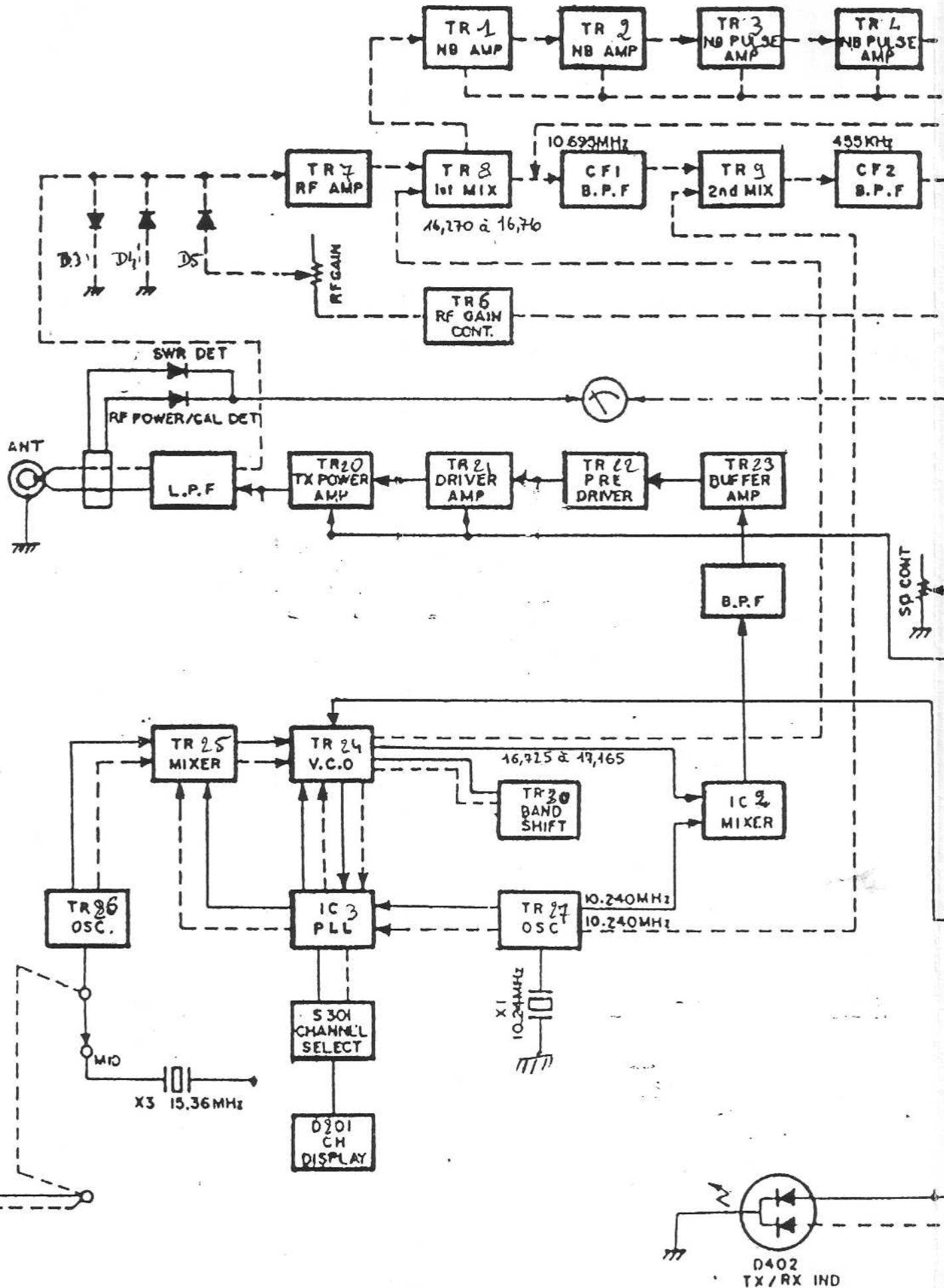
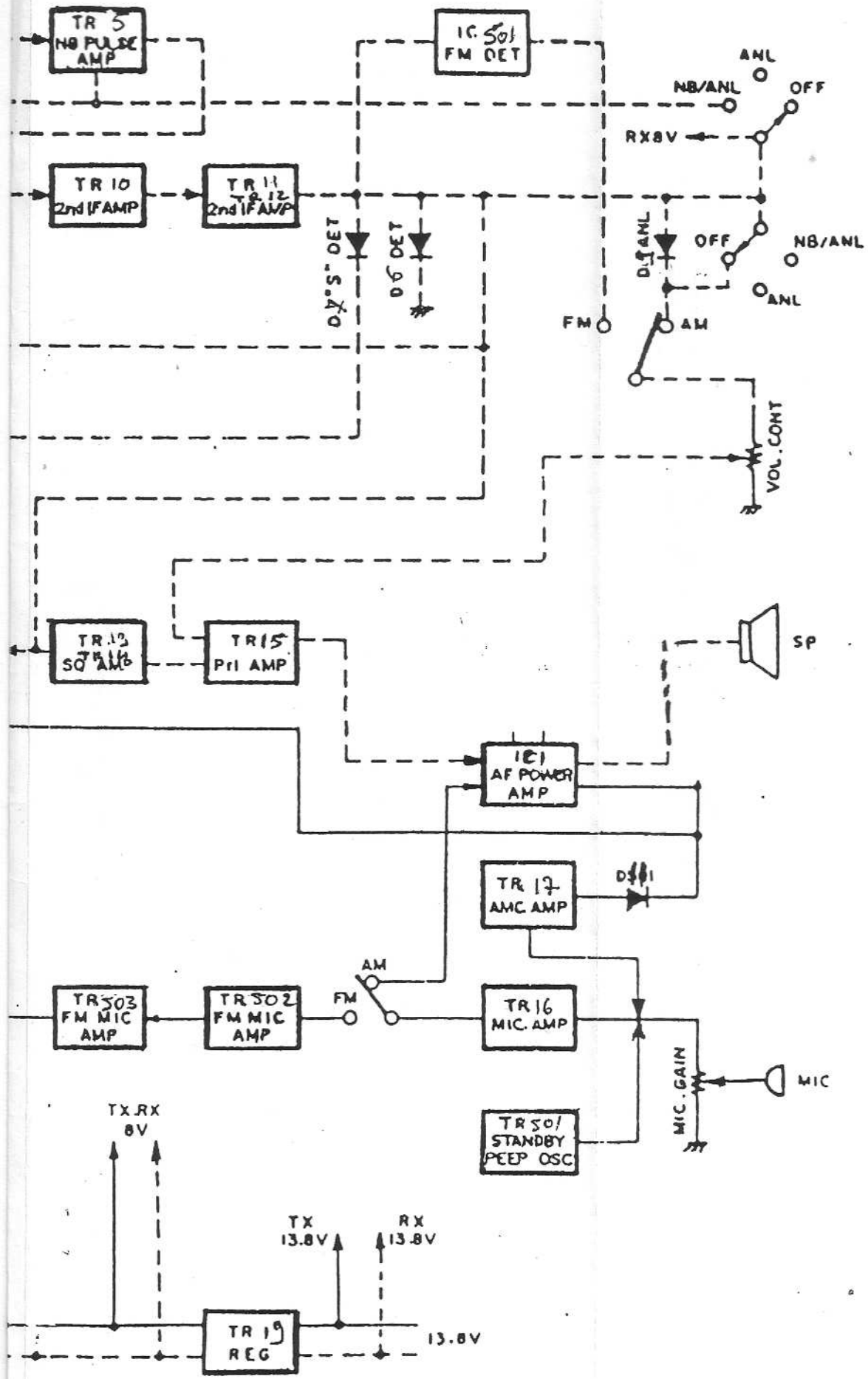
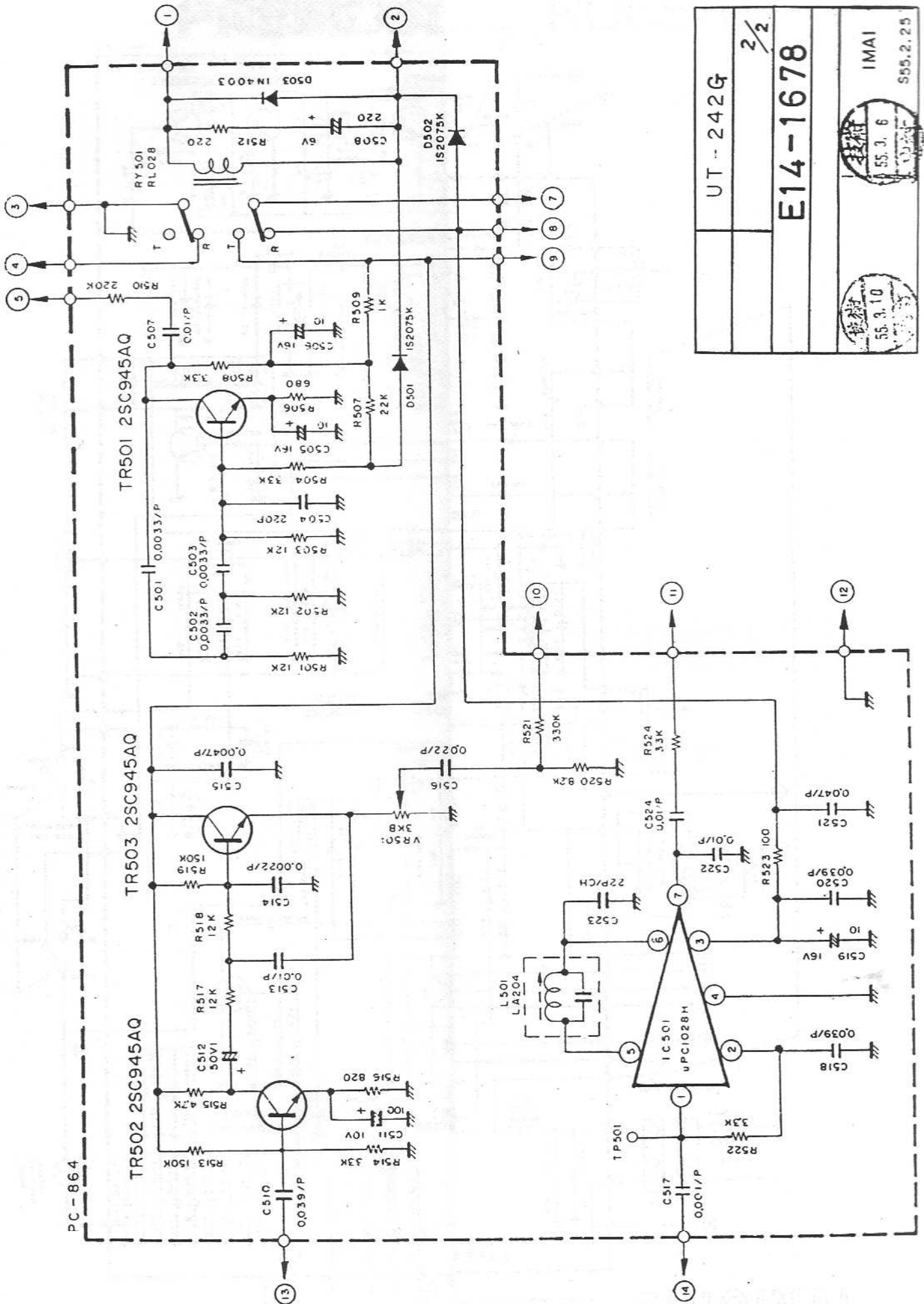


# SYNOPTIQUE





—— TX  
 - - - RX



PC-864

# PLATINE FM

UT - 242G

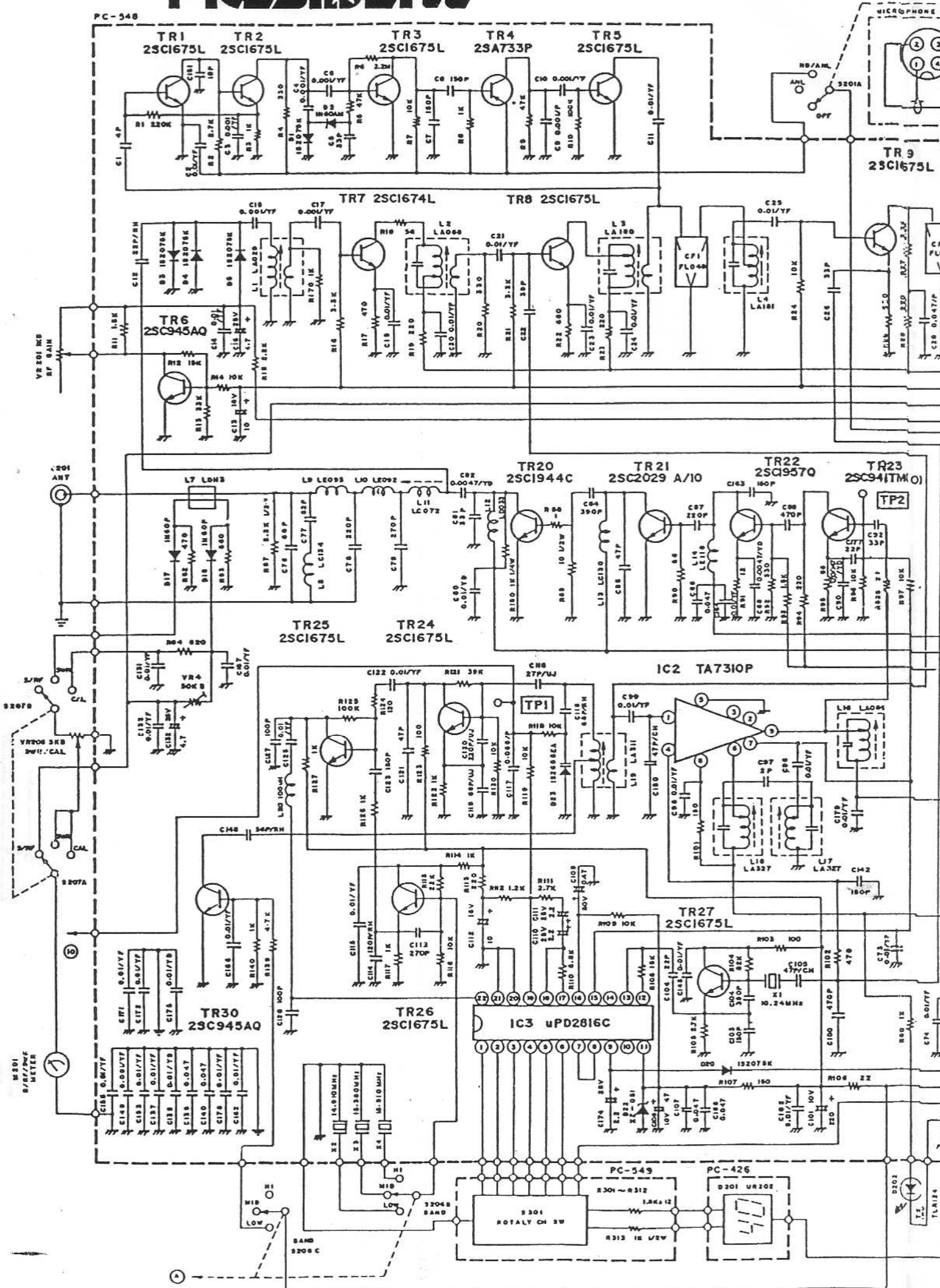
2/2

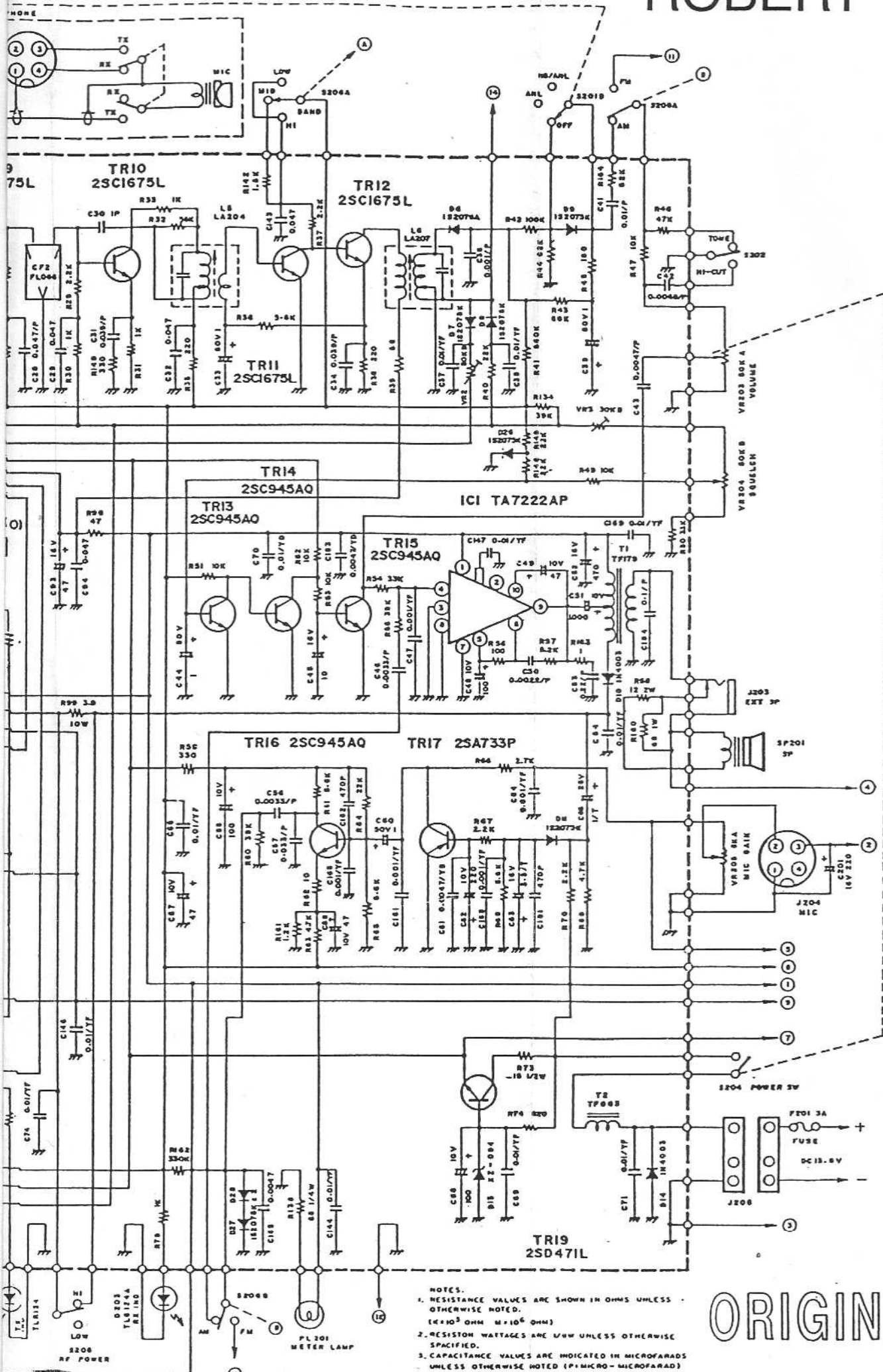
E14-1678

55.3.6	IMAI
55.3.10	S55.2.25

# PRESIDENT

PC-348





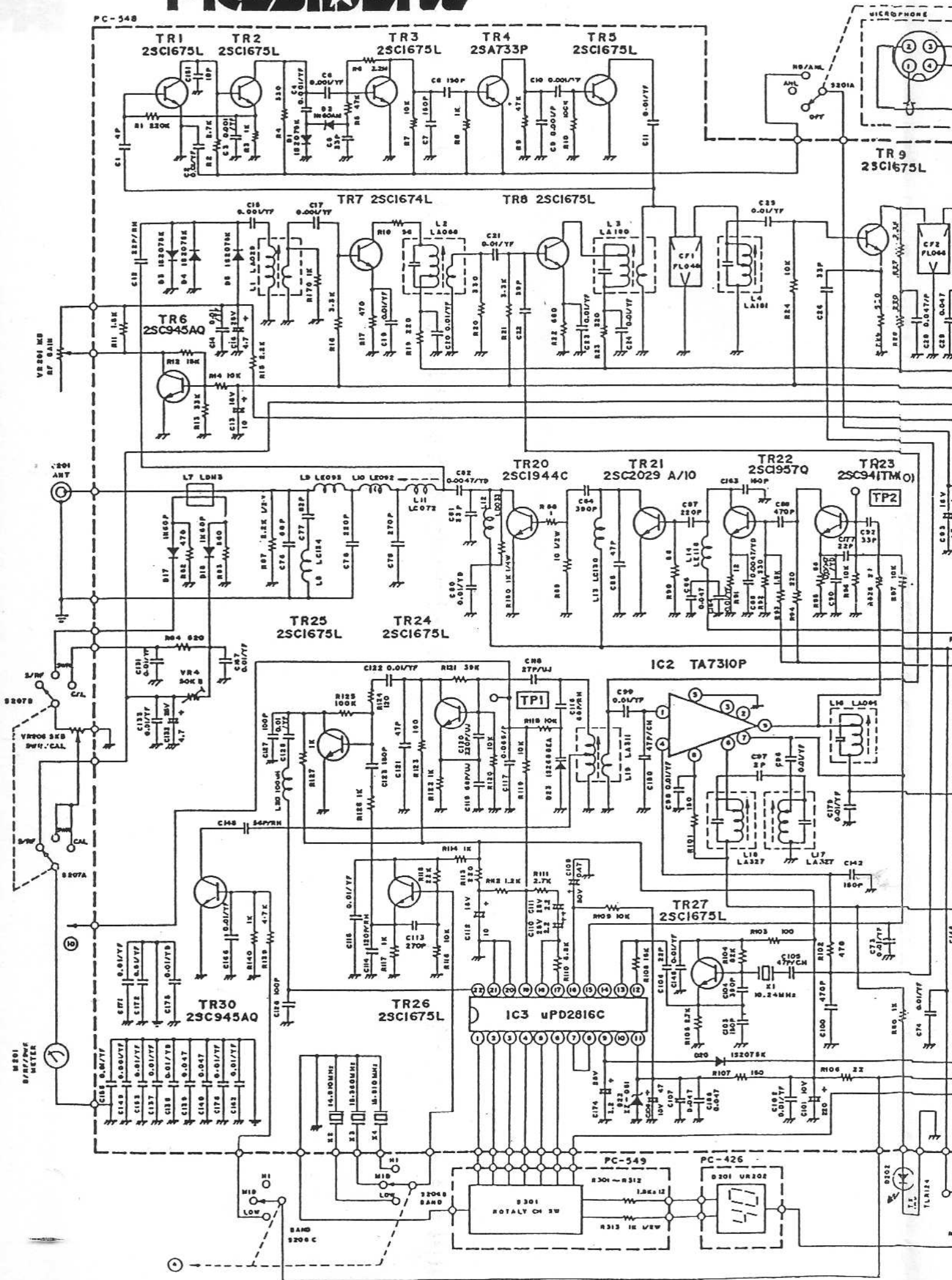
- NOTES.
1. RESISTANCE VALUES ARE SHOWN IN OHMS UNLESS OTHERWISE NOTED.  
( $1 \times 10^3$  OHM =  $10^3$  OHM)
  2. RESISTOR WATTAGES ARE UNW UNLESS OTHERWISE SPECIFIED.
  3. CAPACITANCE VALUES ARE INDICATED IN MICROFARADS UNLESS OTHERWISE NOTED (P = MICRO-MICROFARAD)
  4. ALL CAPACITORS TEMPERATURE CHARACTERISTICS ARE S1 LESS THAN 1000PF) OR Z1 (MORE THAN 1000PF) UNLESS OTHERWISE NOTED.

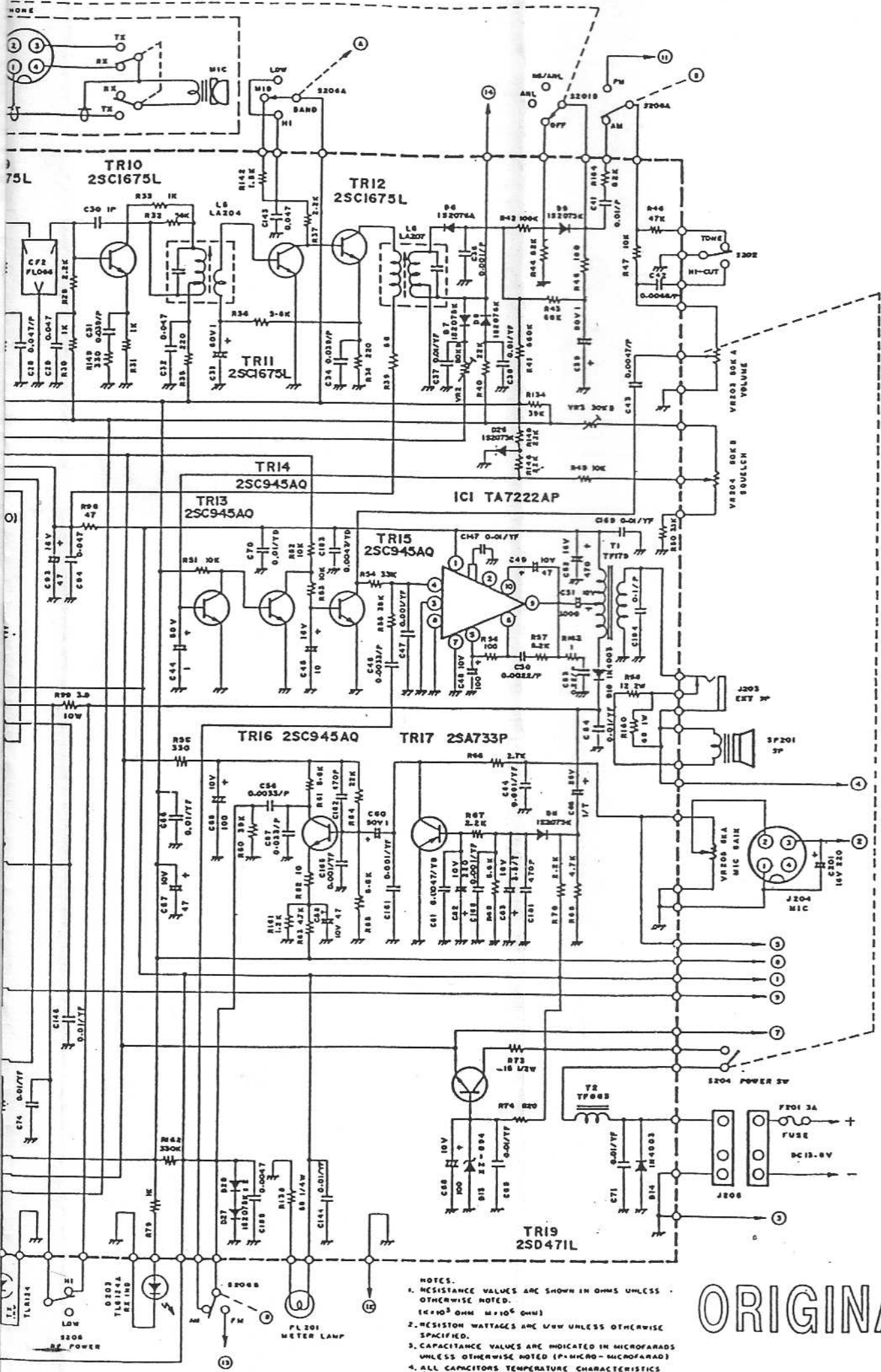
# ORIGINAL



# PRESIDENT

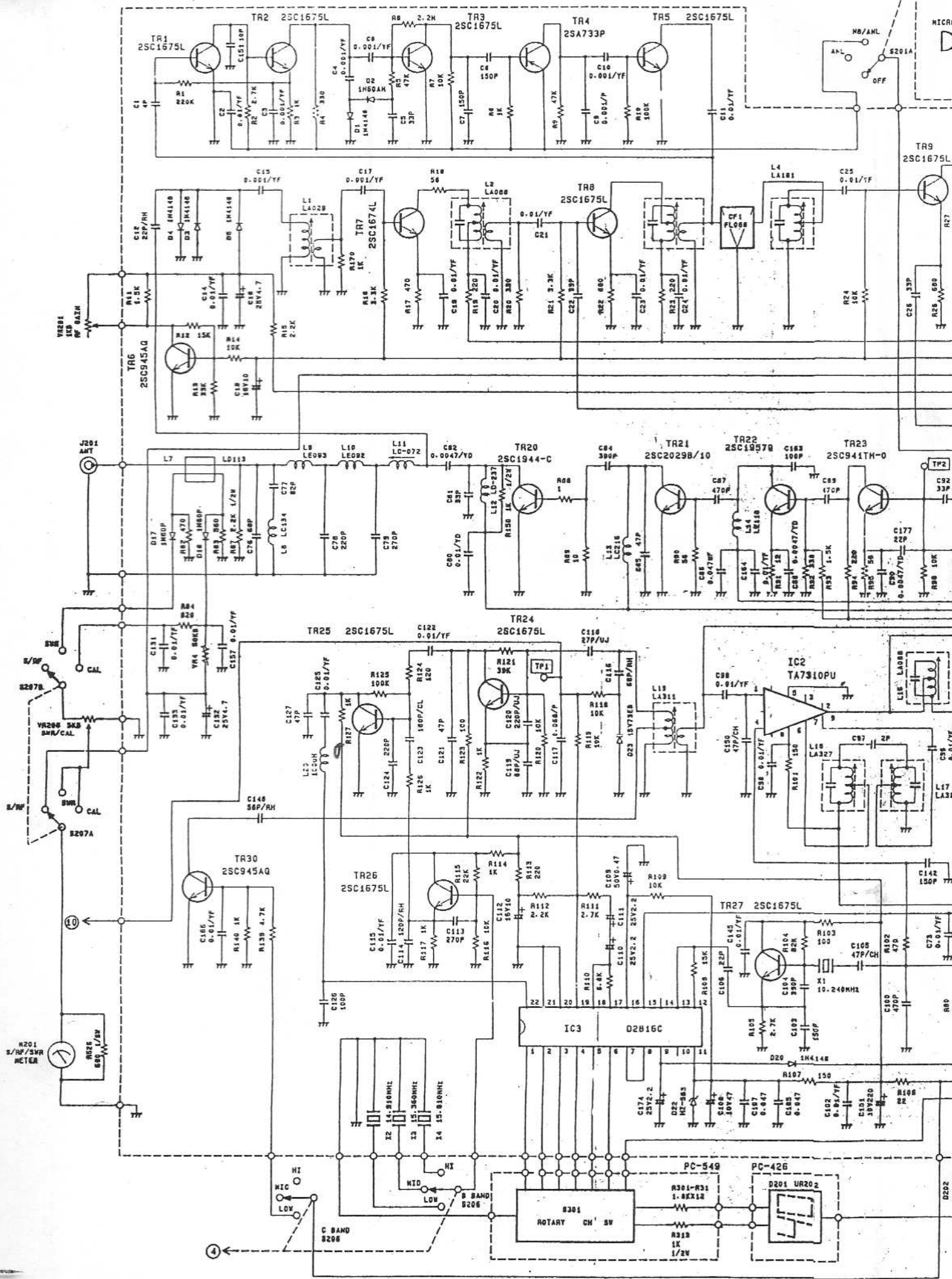
PC-548



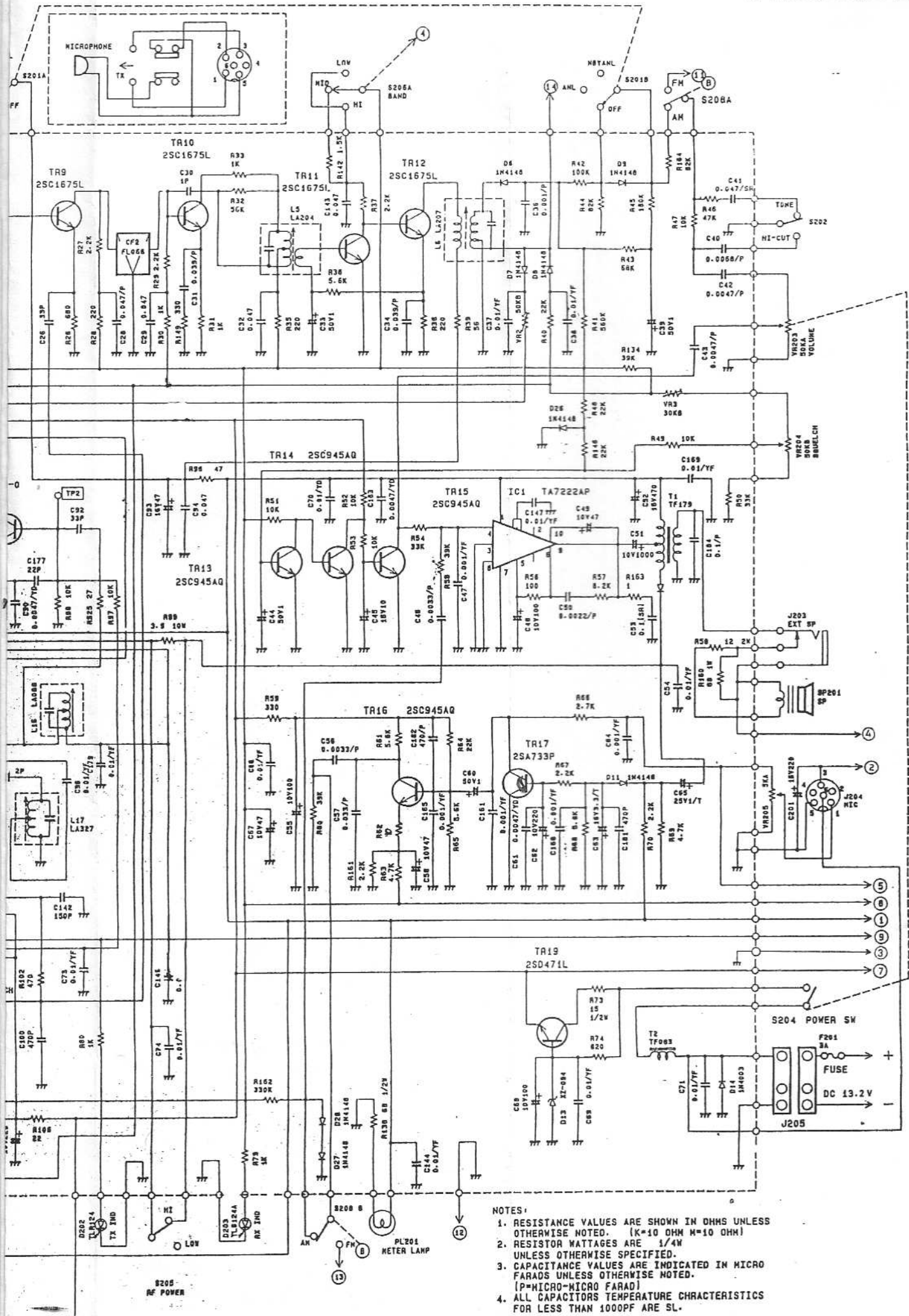


- NOTES.
1. RESISTANCE VALUES ARE SHOWN IN OHMS UNLESS OTHERWISE NOTED.  
(K=10<sup>3</sup> OHM M=10<sup>6</sup> OHM)
  2. RESISTOR WATTAGES ARE 1/4W UNLESS OTHERWISE SPECIFIED.
  3. CAPACITANCE VALUES ARE INDICATED IN MICROFARADS UNLESS OTHERWISE NOTED (P=MICRO-MICROFARAD)
  4. ALL CAPACITORS TEMPERATURE CHARACTERISTICS ARE SLESS THAN 100PPF OR ZF (MORE THAN 1000PF) UNLESS OTHERWISE NOTED.

ORIGINAL

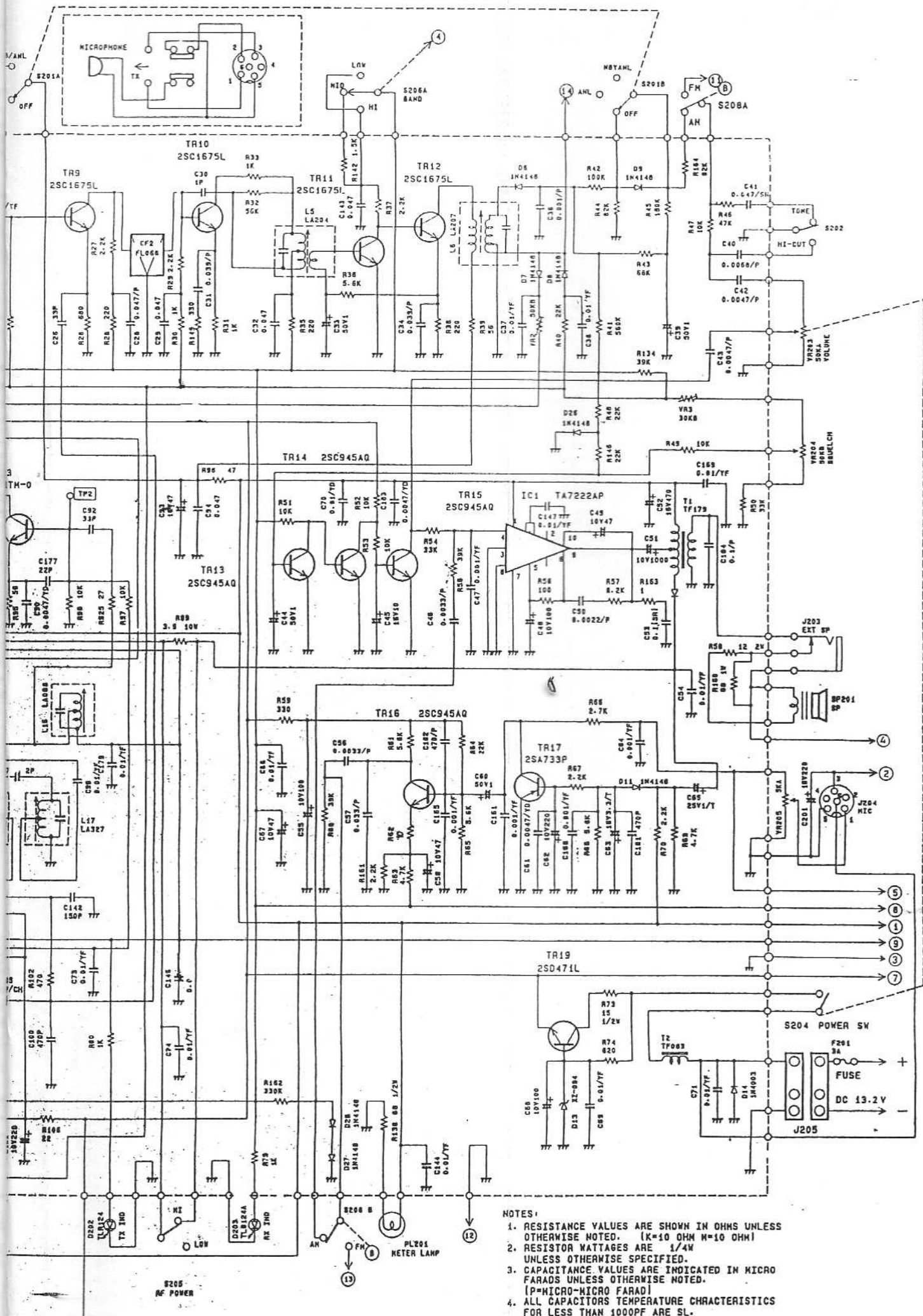






- NOTES:
1. RESISTANCE VALUES ARE SHOWN IN OHMS UNLESS OTHERWISE NOTED. (K=10 OHM M=10 OHM)
  2. RESISTOR WATTAGES ARE 1/4W UNLESS OTHERWISE SPECIFIED.
  3. CAPACITANCE VALUES ARE INDICATED IN MICRO FARADS UNLESS OTHERWISE NOTED. (P=MICRO-MICRO FARAD)
  4. ALL CAPACITORS TEMPERATURE CHARACTERISTICS FOR LESS THAN 1000PF ARE SL.





- NOTES:
1. RESISTANCE VALUES ARE SHOWN IN OHMS UNLESS OTHERWISE NOTED. (K=10 OHM M=10 OHM)
  2. RESISTOR WATTAGES ARE 1/4W UNLESS OTHERWISE SPECIFIED.
  3. CAPACITANCE VALUES ARE INDICATED IN MICRO FARADS UNLESS OTHERWISE NOTED. [P=MICRO-MICRO FARAD]
  4. ALL CAPACITORS TEMPERATURE CHARACTERISTICS FOR LESS THAN 1000PF ARE SL.