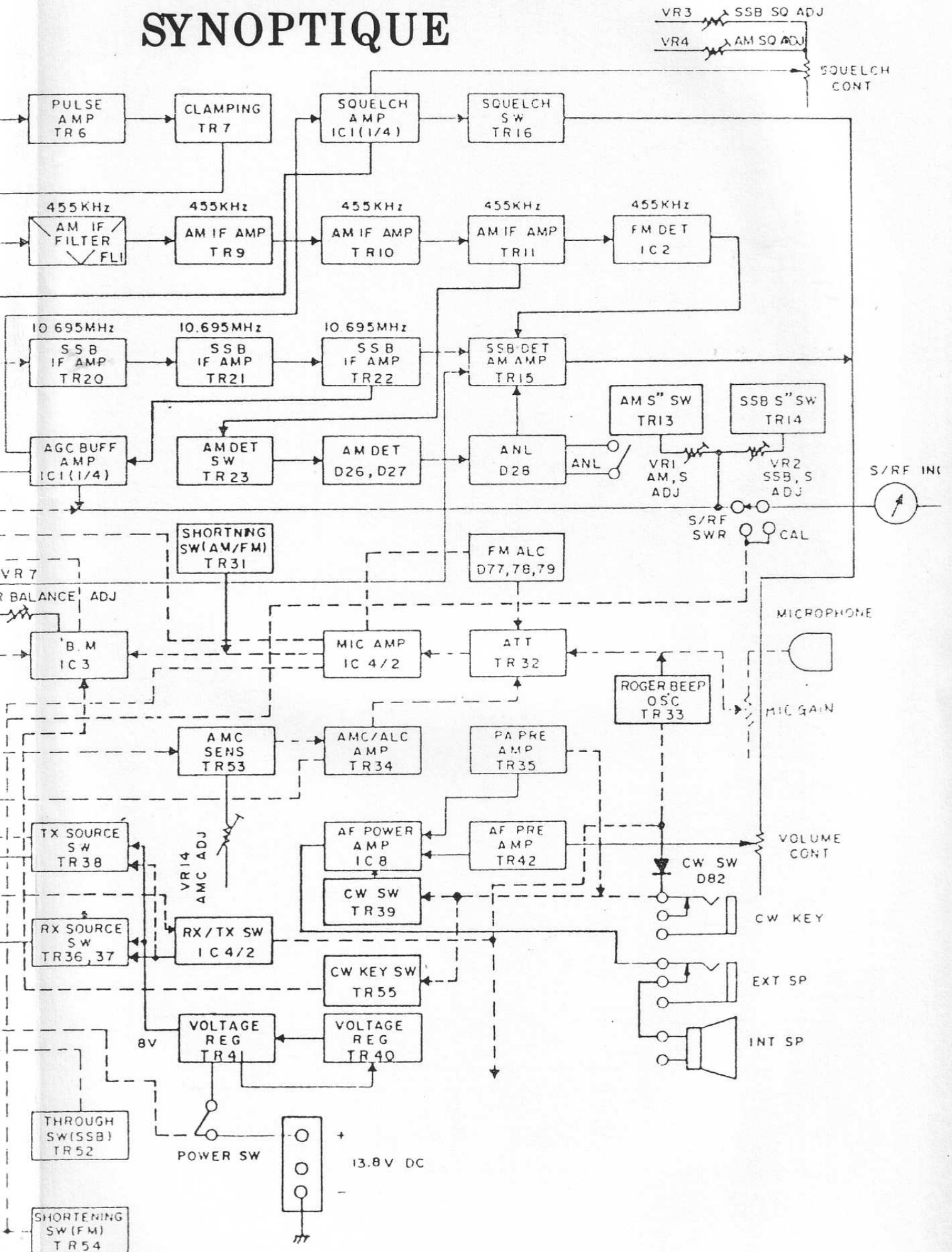
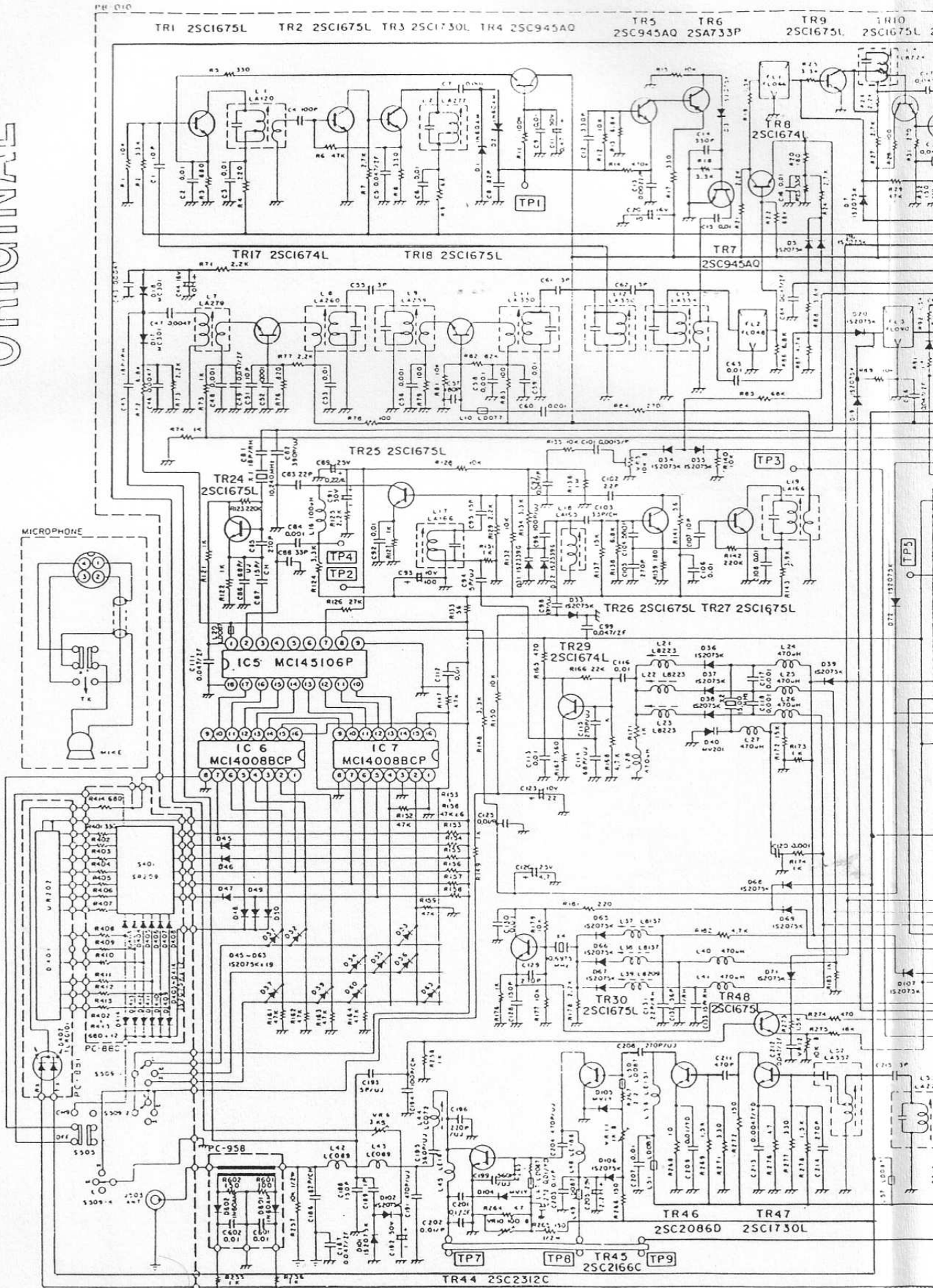


# SYNOPTIQUE

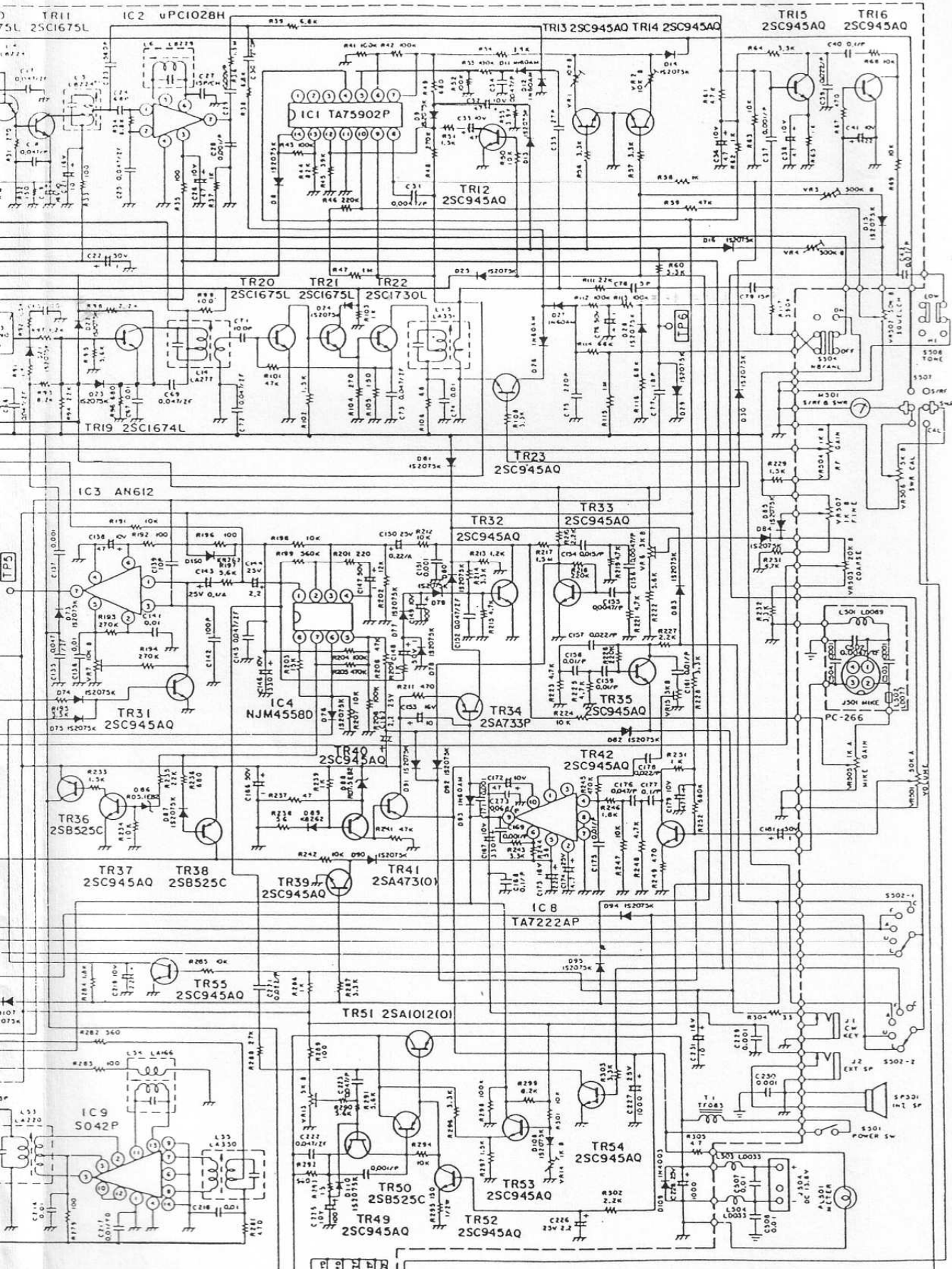


# PRESIDENT

ORIGINAL



# RICHARD



- NOTES:
1. RESISTANCE VALUES ARE SHOWN IN OHMS UNLESS OTHERWISE NOTED. (R1-R10 OHM, R11-R100 OHM)
  2. RESISTOR WATTAGES ARE 1/8W UNLESS OTHERWISE NOTED
  3. CAPACITANCE VALUES ARE INDICATED IN MICROFARADS UNLESS OTHERWISE NOTED (P. MICRO-MICROFARAD)
  4. ALL CAPACITORS TEMPERATURE CHARACTERISTICS ARE  $\pm 1\%$  LESS THAN 1000PF OR  $\pm 5\%$  (MORE THAN 1000PF) UNLESS OTHERWISE NOTED.