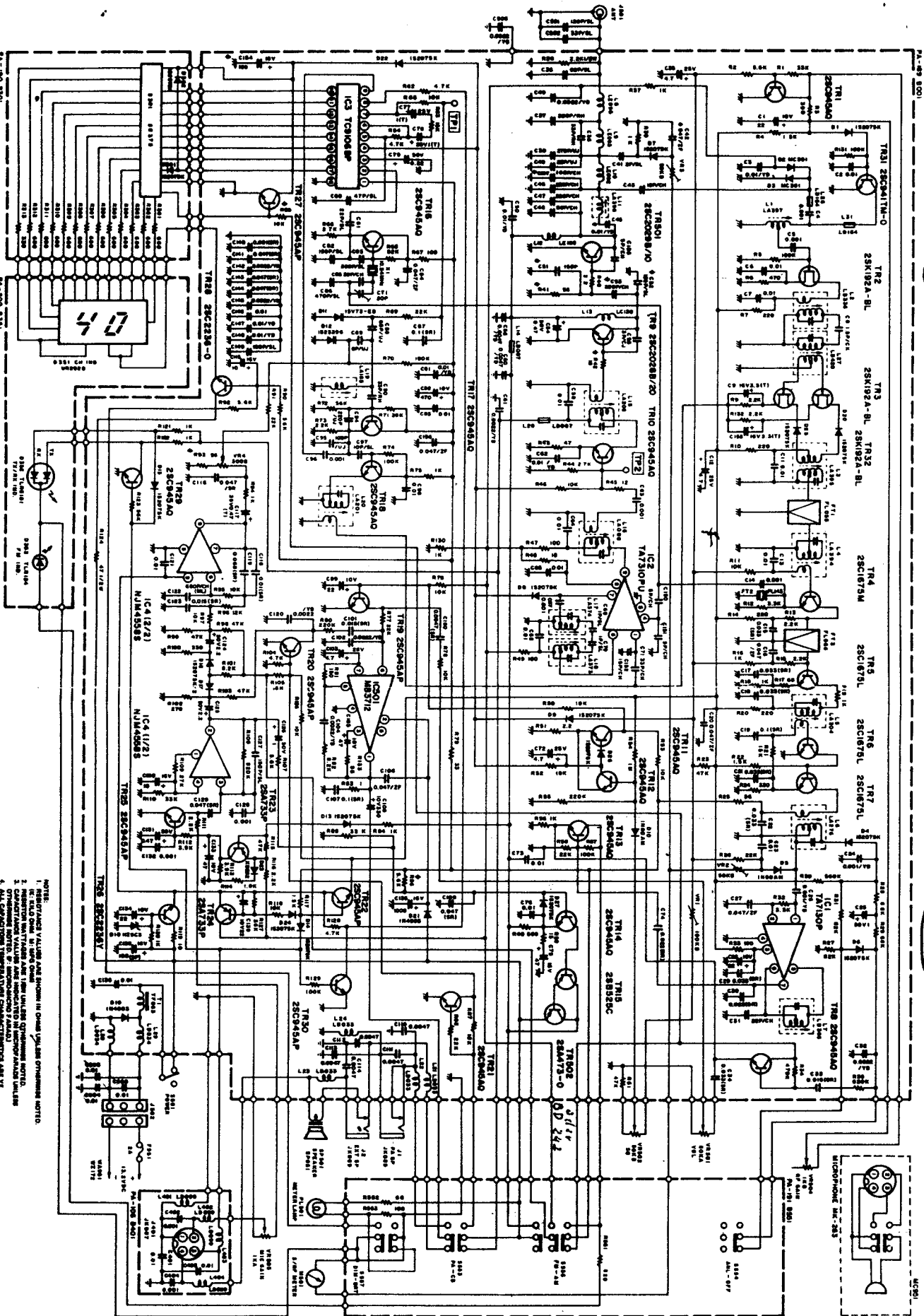


(A)

SCHEMATIC DIAGRAM

(B)

PRESIDENT 40



- NOTE:
1. SURFACE VALUES AND FORM IN DRAWING UNLESS OTHERWISE NOTED.
 2. RESISTOR VALUES ARE IN OHMS UNLESS OTHERWISE NOTED.
 3. CAPACITOR VALUES ARE IN P.F. UNLESS OTHERWISE NOTED.
 4. ALL CAPACITORS ARE POLYESTER UNLESS OTHERWISE NOTED.
 5. PARTS ARE SUBJECT TO CHANGE WITHOUT PRIOR NOTICE.

VTUE07302ZZ

N7H 45505 (=BAT15)

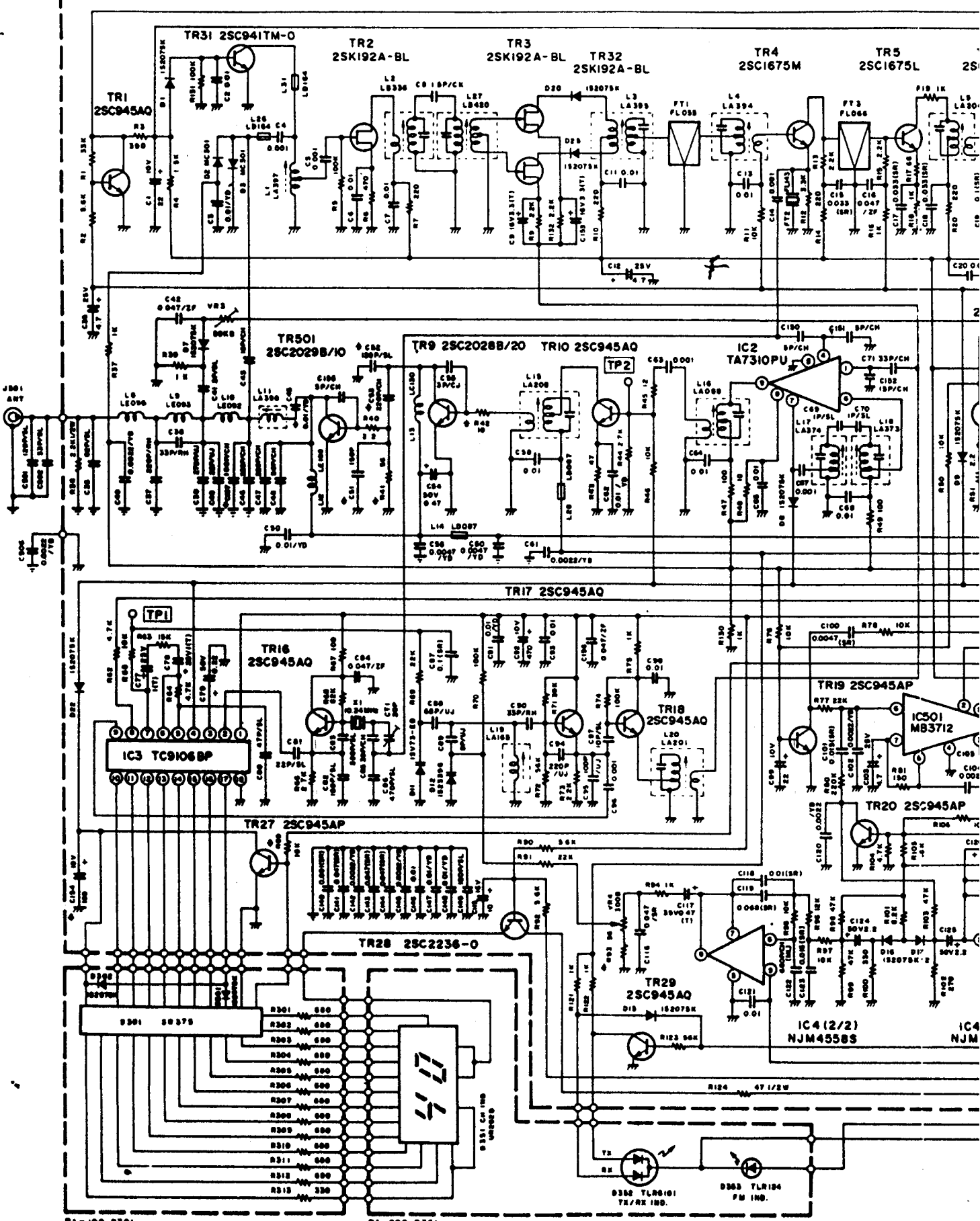
Printed in Taiwan R.O.C.

PRESIDENT 40 PL

(A)

SCHEMATIC DIA

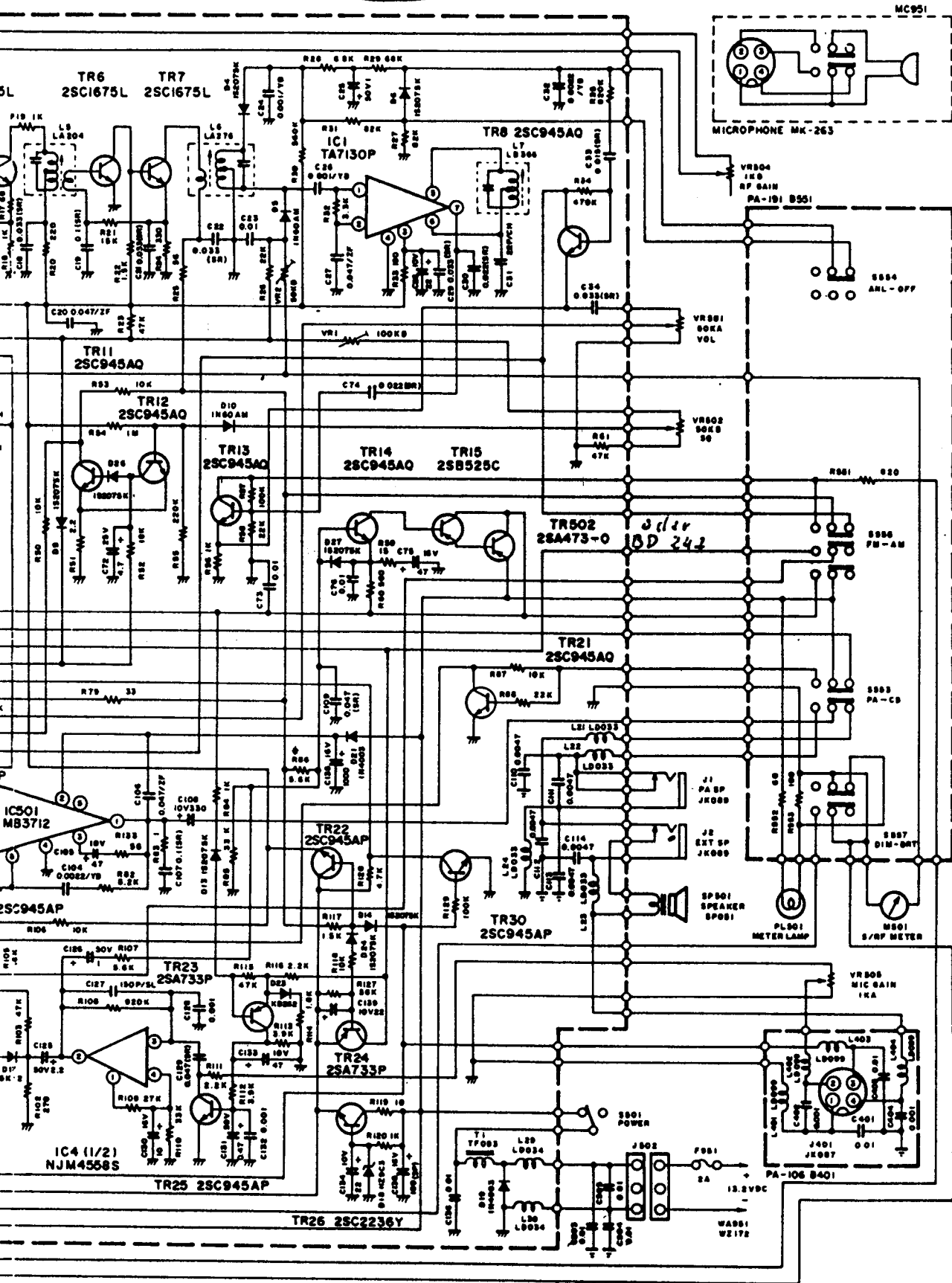
PA-189 B001



DIAGRAM

(B)

PRESIDENT PC 40



- NOTES:
1. RESISTANCE VALUES ARE SHOWN IN OHMS UNLESS OTHERWISE NOTED. (K: KILO OHM M: MFG OHM)
 2. RESISTOR WATTAGES ARE 1/8W UNLESS OTHERWISE NOTED.
 3. CAPACITANCE VALUES ARE INDICATED IN MICROFARADE UNLESS OTHERWISE NOTED. (P: MICRO-MICRO FARAD.)
 4. ALL CAPACITORS TEMPERATURE CHARACTERISTICS ARE YF UNLESS OTHERWISE NOTED.
 5. PARTS ARE SUBJECT TO CHANGE WITHOUT PRIOR NOTICE.

15503 (=BA715)

PRESIDENT PC 40