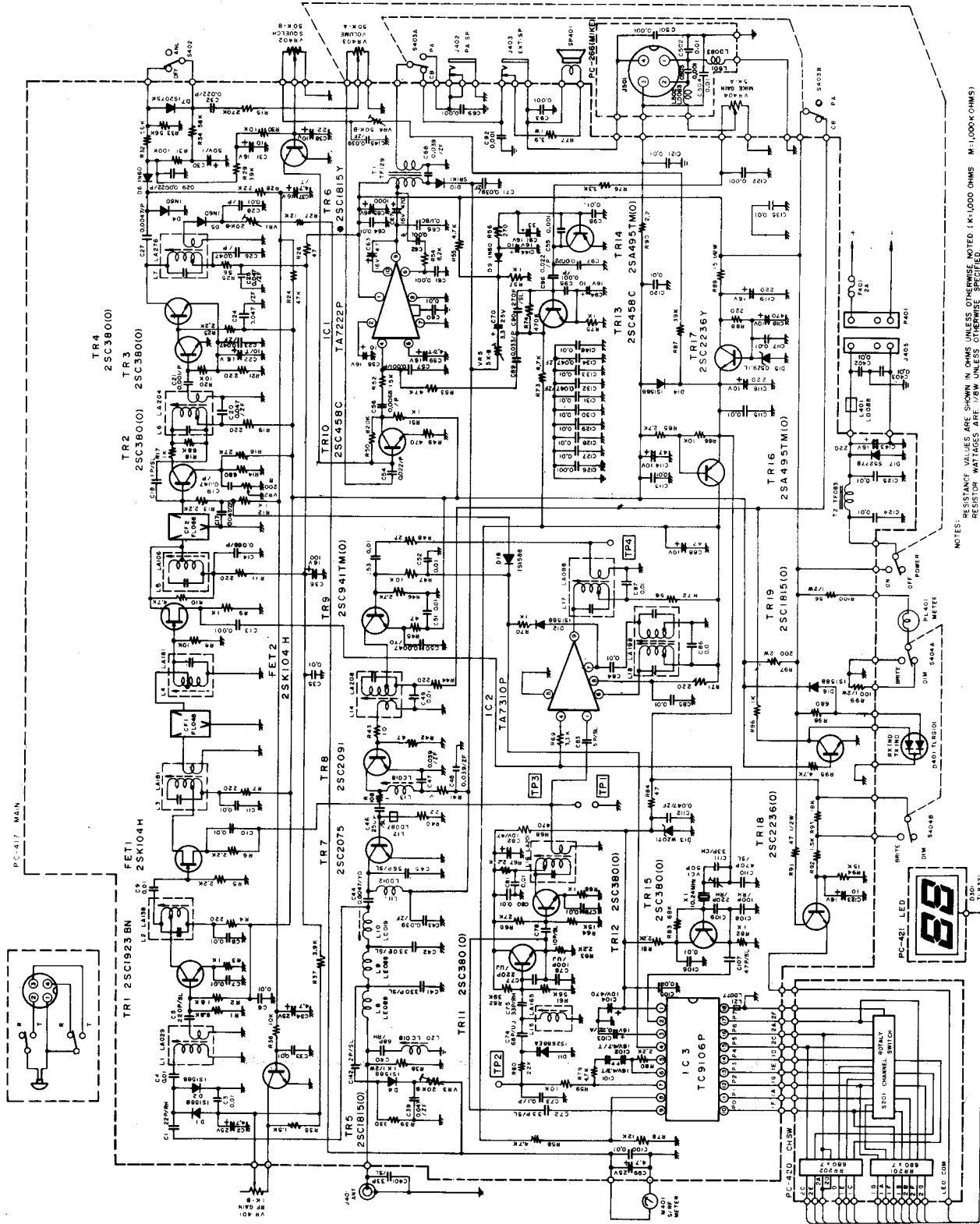


CIRCUIT DIAGRAM FOR ANDREW J.

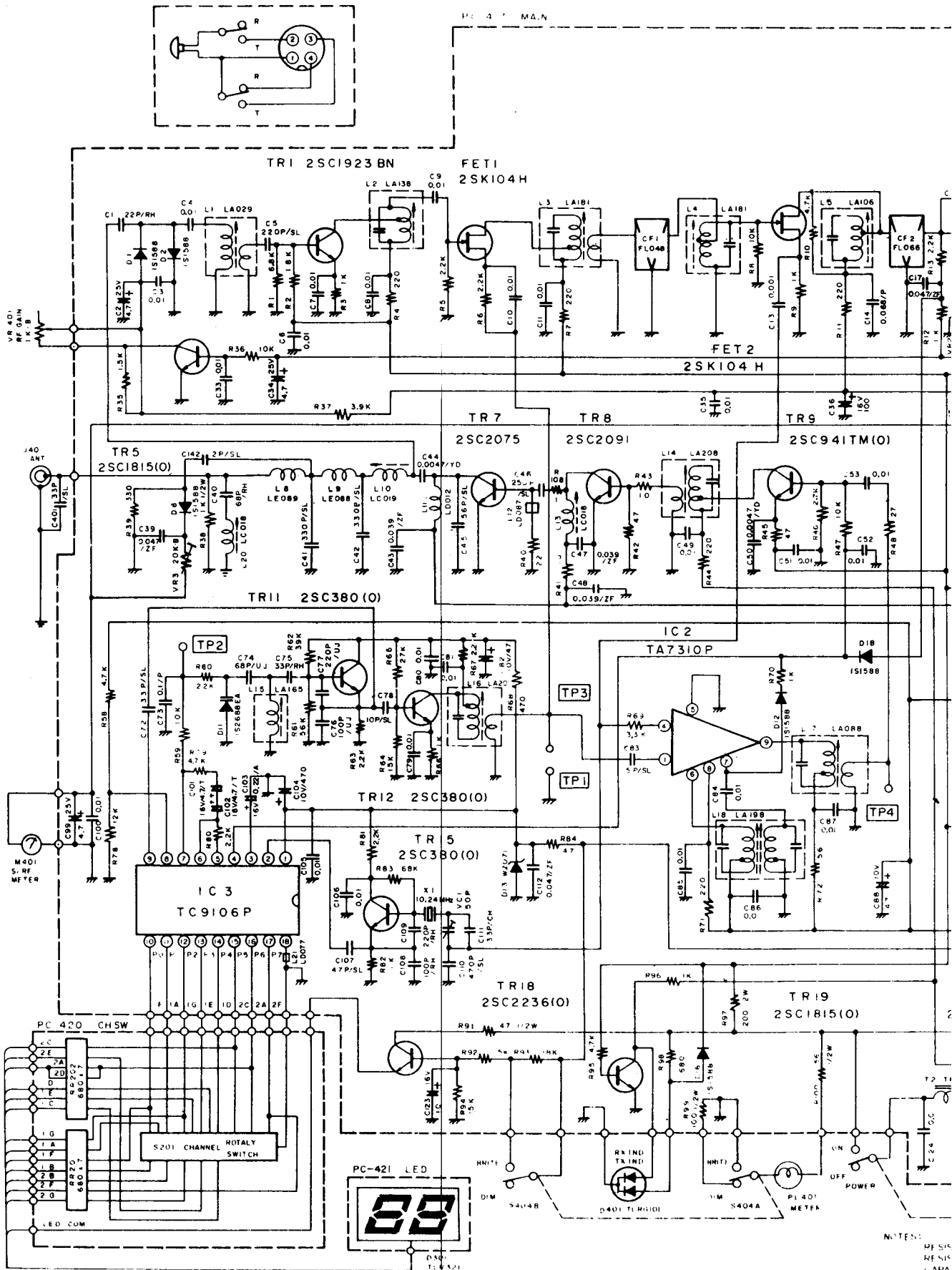
(A)

(B)



NOTES: RESISTANCE VALUES ARE SHOWN IN OHMS UNLESS OTHERWISE NOTED (1K=1,000 OHMS M=1,000K=OHMS)
RESISTOR RATINGS ARE 1/8W UNLESS OTHERWISE SPECIFIED.
CAPACITANCE VALUES ARE IN MICROFARADS UNLESS OTHERWISE SPECIFIED (P= MICRO MICROFARADS)
ALL CAPACITORS TEMPERATURE CHARACTERISTICS ARE 1% UNLESS OTHERWISE NOTED.

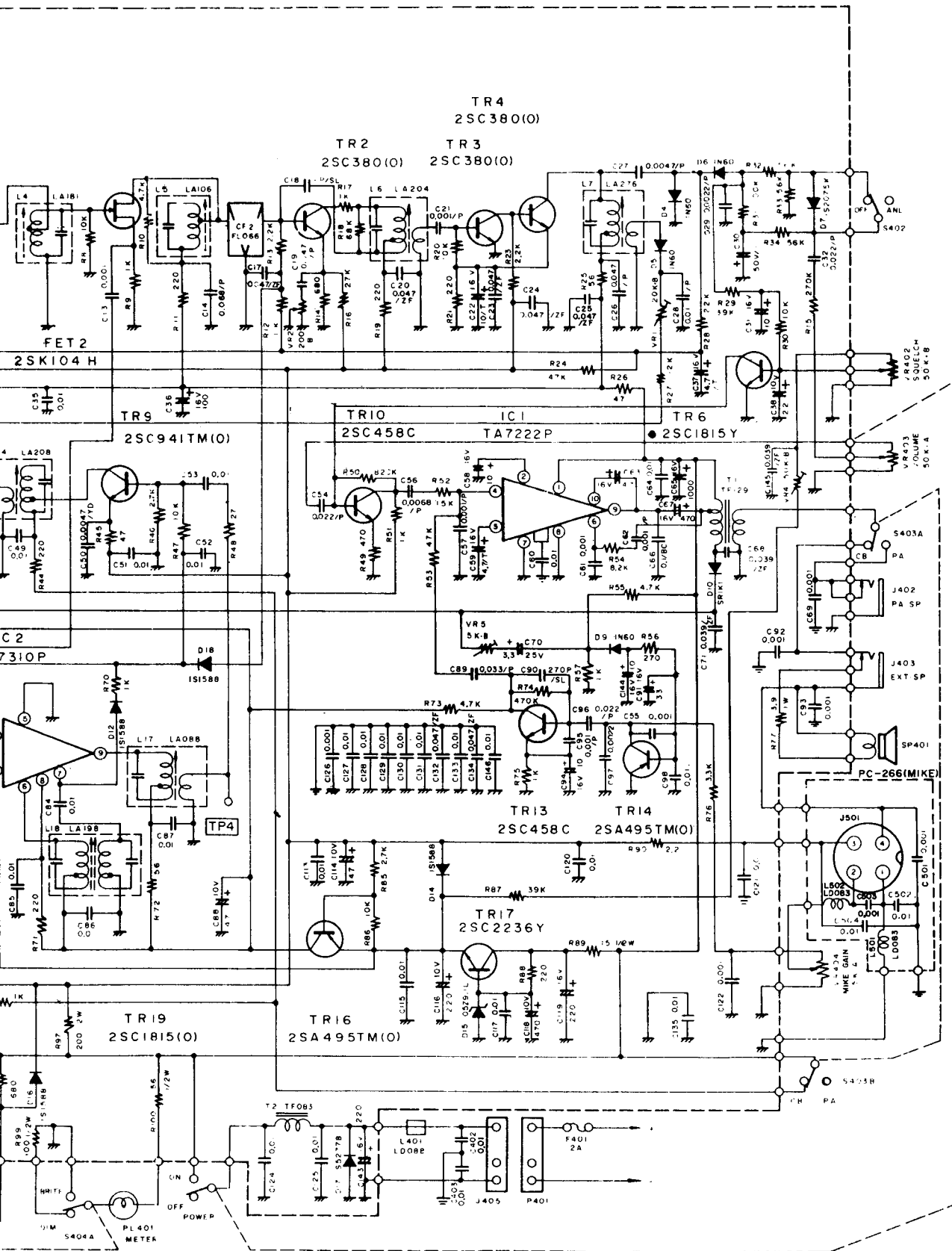
CIRCUIT DIAGRAM FOR AND



NOTES:
 RESIS
 RESIS
 CAPA
 ALL

DIAGRAM FOR ANDREW J.

(B)



NOTES:
 1. RESISTANCE VALUES ARE SHOWN IN OHMS UNLESS OTHERWISE NOTED (K=1,000 OHMS M=1,000,000 OHMS)
 2. RESISTOR WATTAGES ARE 1/2W UNLESS OTHERWISE SPECIFIED
 3. CAPACITANCE VALUES ARE INDICATED IN MICROFARADS UNLESS OTHERWISE SPECIFIED (P MICRO MICROFARADS)
 4. ALL CAPACITORS TEMPERATURE CHARACTERISTICS ARE YF UNLESS OTHERWISE NOTED

BLOCK DIAGRAM FOR ANDREW J.

