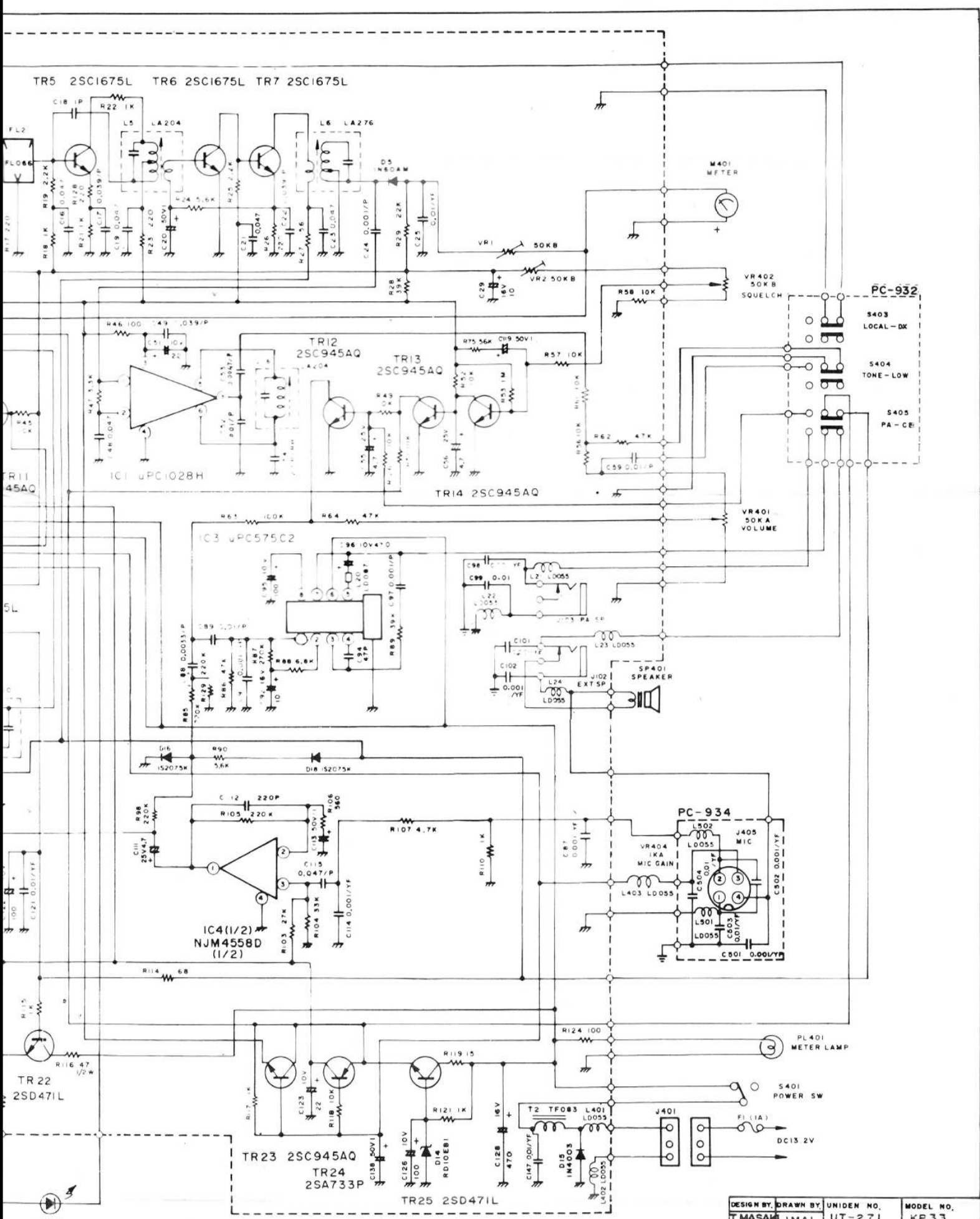


NOTES:  
 1 RESISTANCE VALUES ARE SHOWN IN OHMS UNLESS OTHERWISE NOTED.  
 (K=10<sup>3</sup> OHM, M=10<sup>6</sup> OHM)  
 2 RESISTOR WATTAGES ARE 1/8W UNLESS OTHERWISE SPECIFIED.

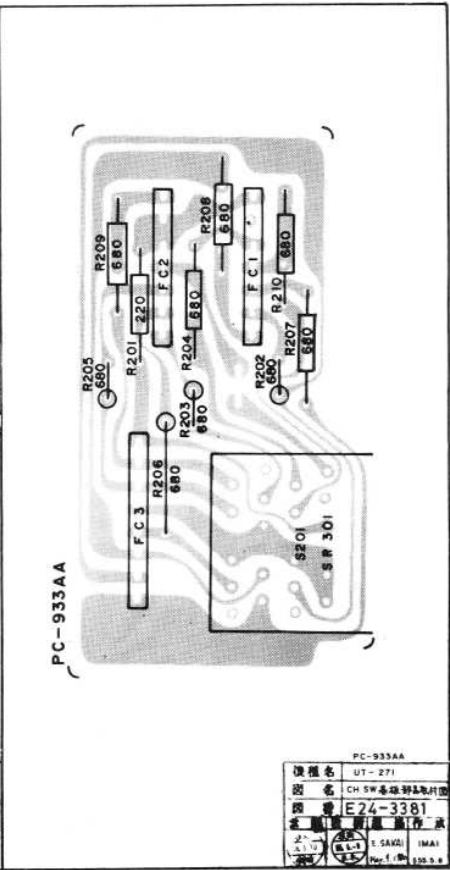
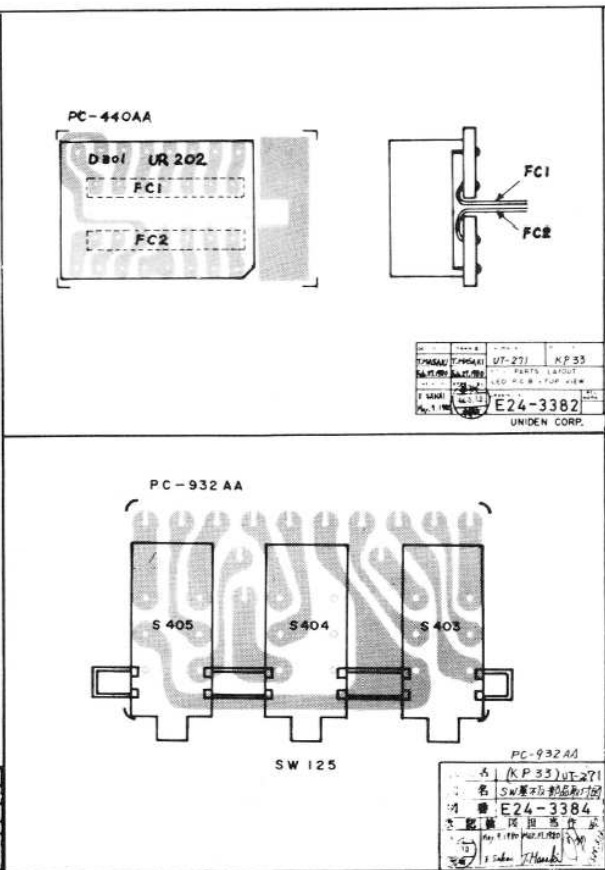
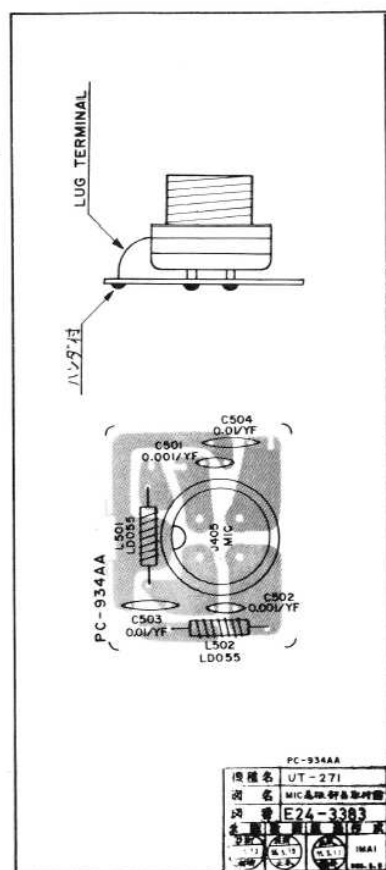
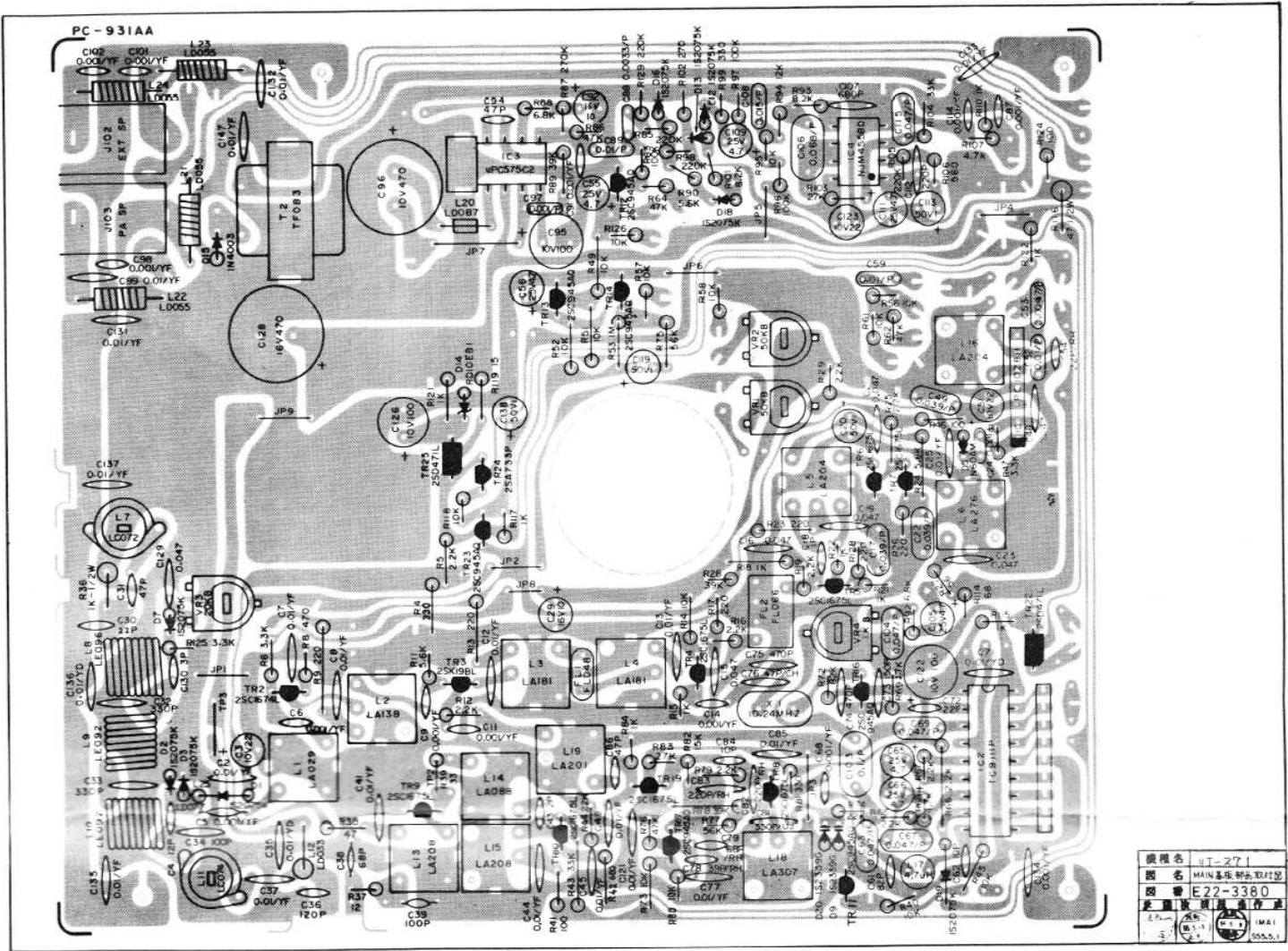
3 CAPACITANCE VALUES ARE INDICATED IN MICROFARADS UNLESS OTHERWISE NOTED.(P=MICRO-MICROFARAD)  
 4 ALL CAPACITORS TEMPERATURE CHARACTERISTICS ARE 5L (LESS THAN 1000PF) OR 2F (MORE THAN 1000PF) UNLESS OTHERWISE NOTED.

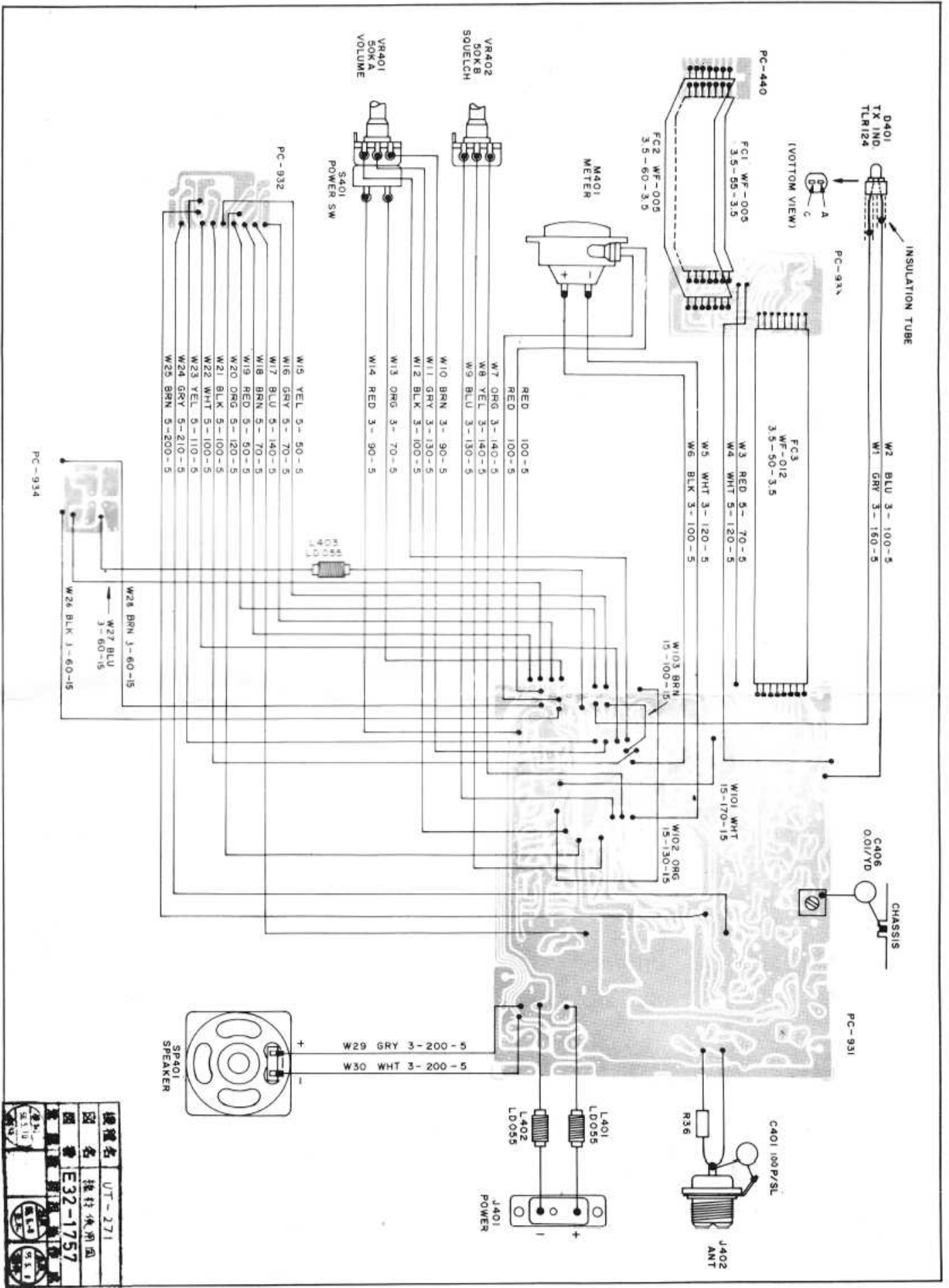
D401  
TLR124

# RESIDENT KP 33



DESIGN BY T. MASAM	DRAWN BY IMAI	UNIDEN NO. UT-271	MODEL NO. KP33
CHECK BY E. SAKAI	APPRO BY [Signature]	TITLE SCHEMATIC DIAGRAM	REV. MARK
DATE MAR 17 1980		DRAWING NO. E12-1705	REV. 1





機種名	VT-271
図名	接線図
図番	E32-1757
製	日
製	年
製	月
製	日