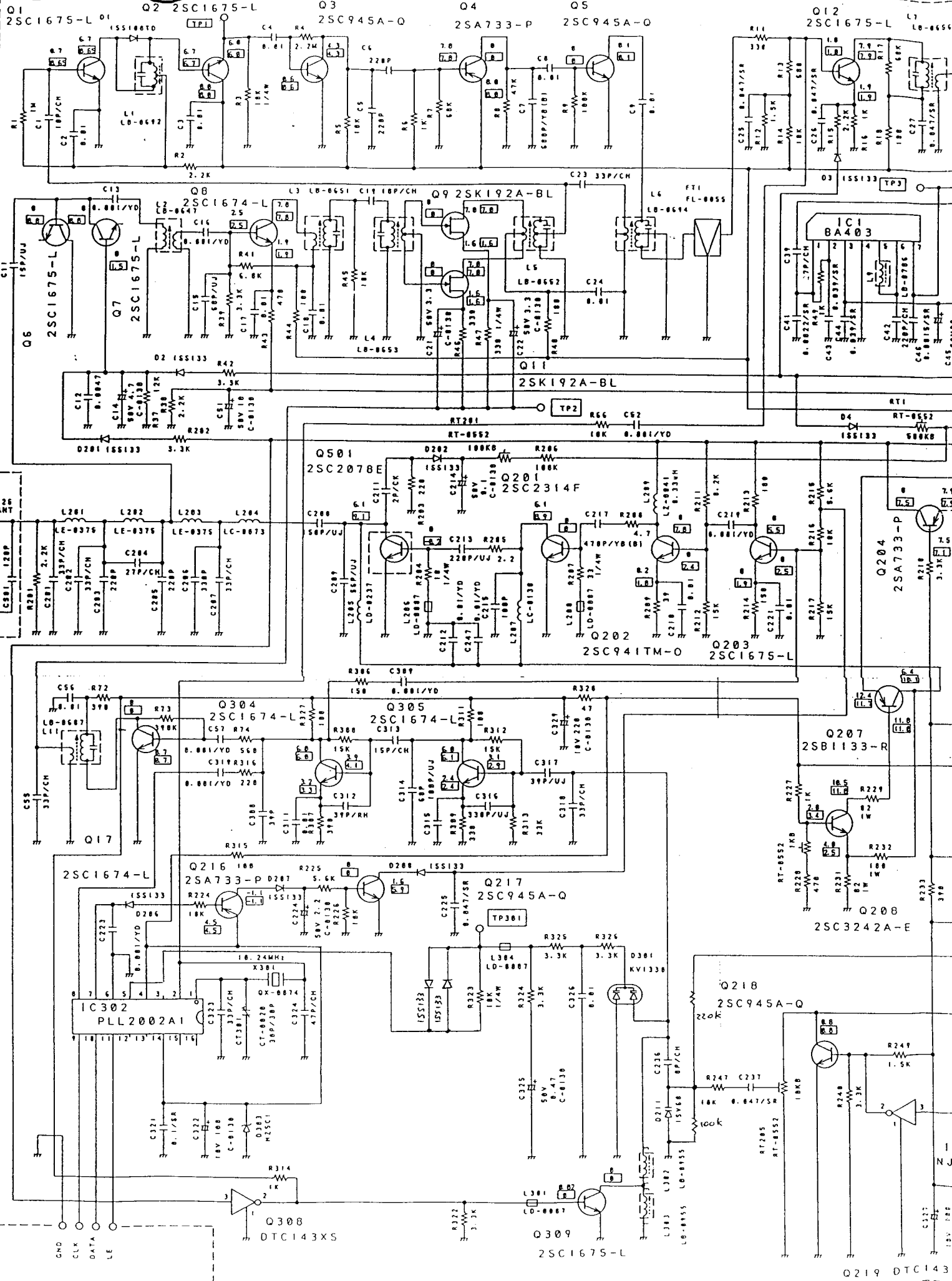


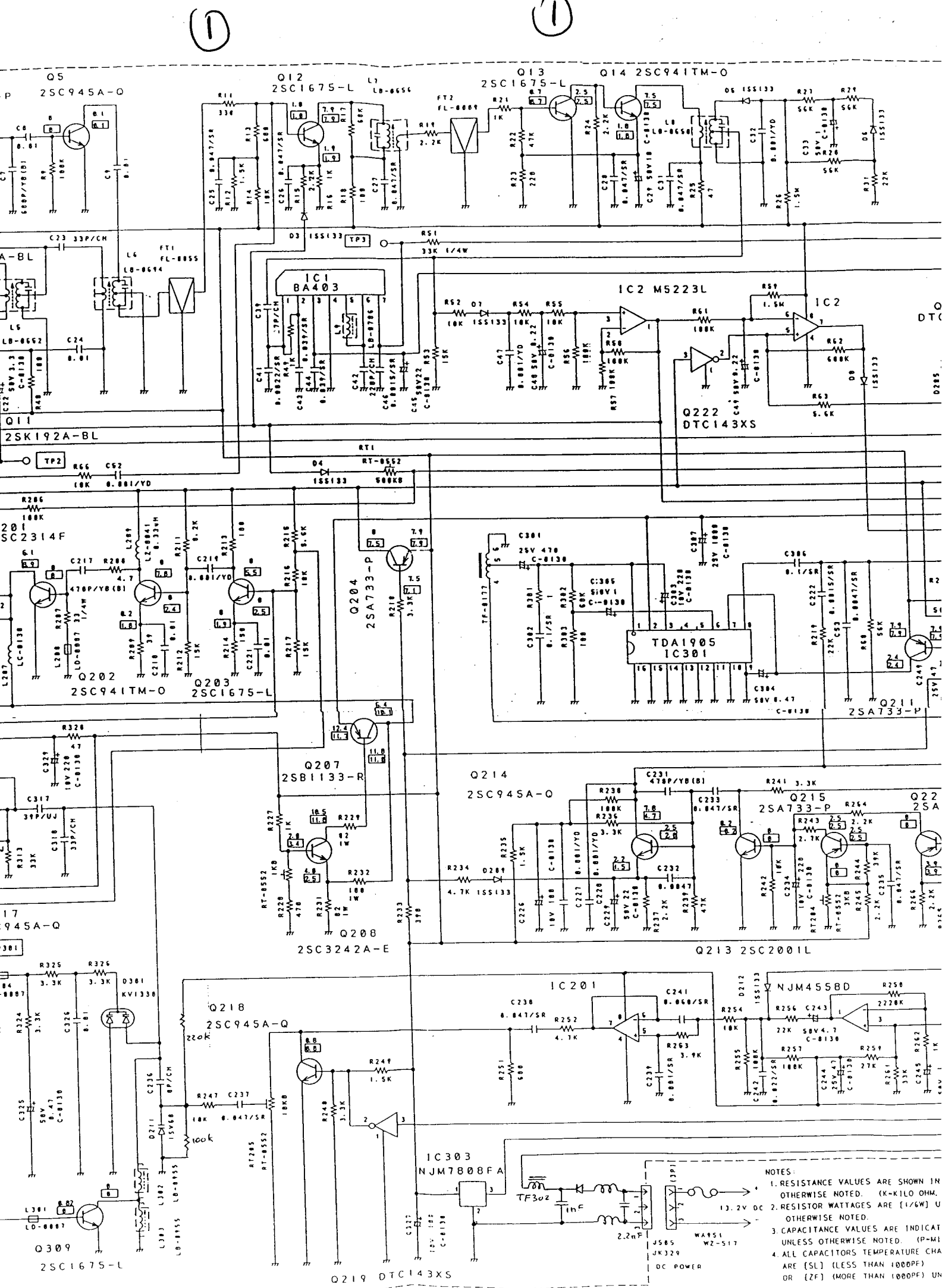
(A)

(1)



GND CLK DATA LE

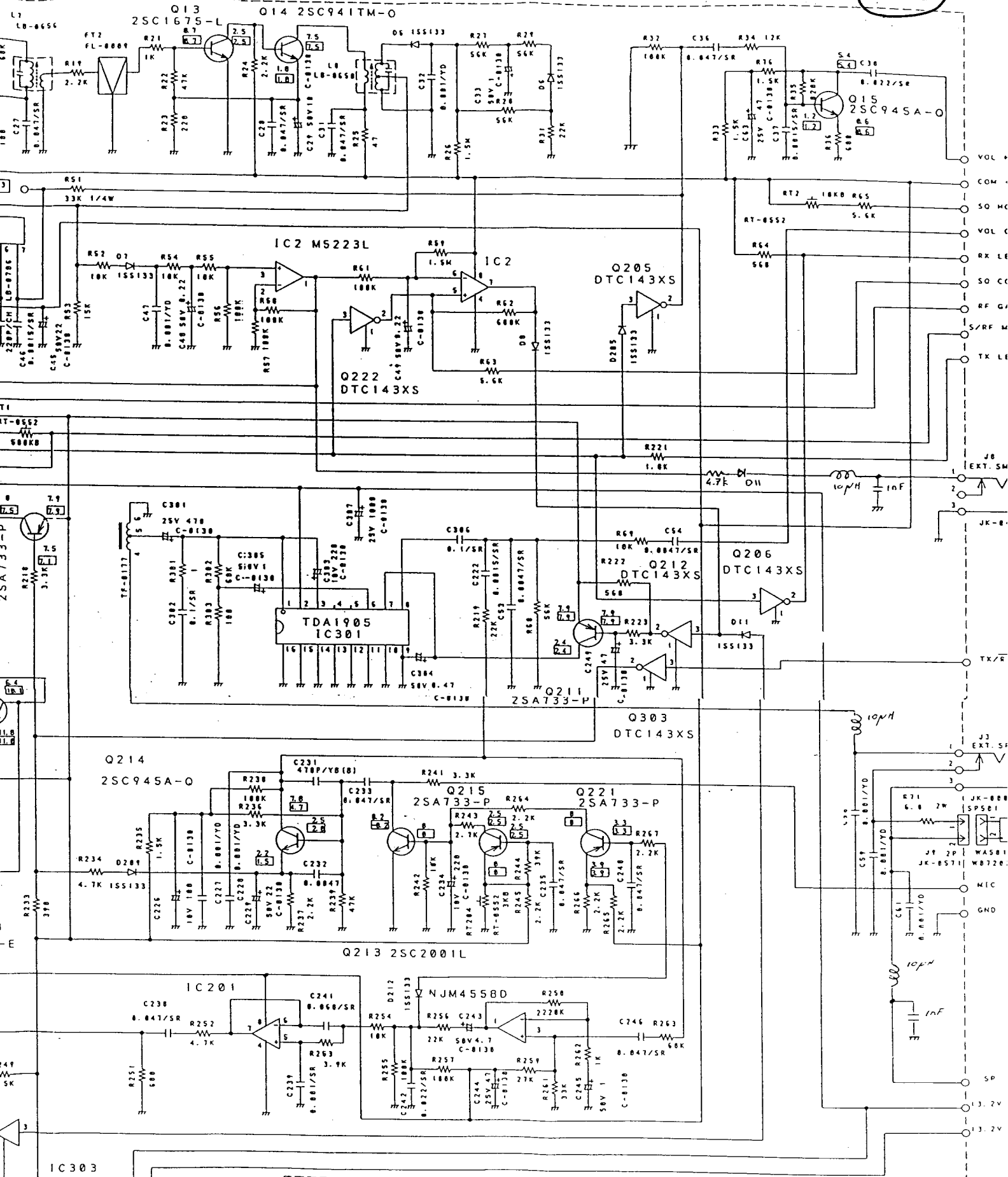
Q219 DTC143X



- NOTES:
1. RESISTANCE VALUES ARE SHOWN IN OTHERWISE NOTED. (K-KILO OHM, M-MEG OHM)
 2. RESISTOR WATTAGES ARE [1/6W] UNLESS OTHERWISE NOTED.
 3. CAPACITANCE VALUES ARE INDICATED UNLESS OTHERWISE NOTED. (P-PICO, N-NEO, U- MICRO, F-FEMTO)
 4. ALL CAPACITORS TEMPERATURE CHARACTERISTICS ARE [S] (LESS THAN 1000PF) OR [Z] (MORE THAN 1000PF) UNLESS OTHERWISE NOTED.

JS85
 JK329
 DC POWER

(B)

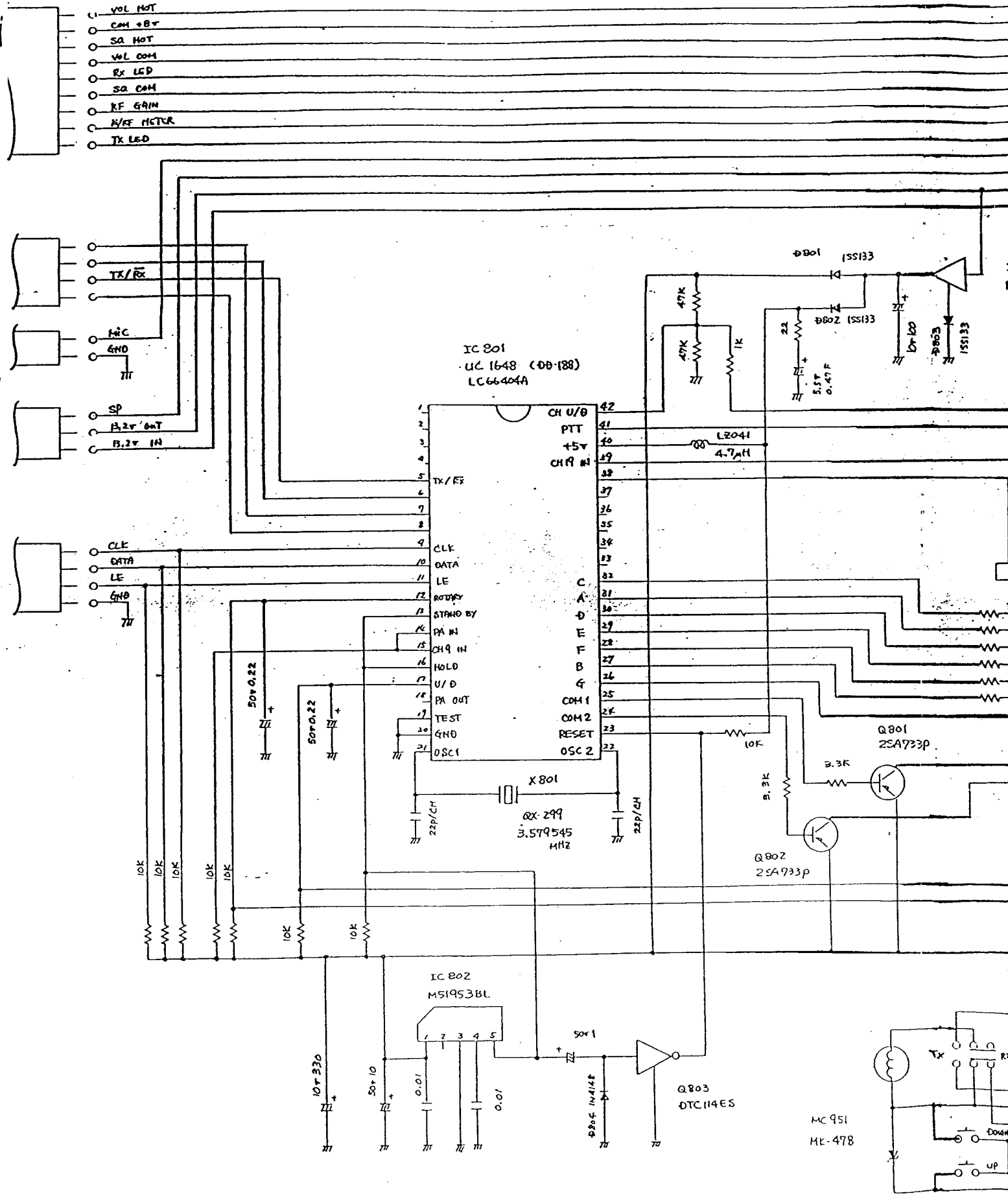


- NOTES:
1. RESISTANCE VALUES ARE SHOWN IN OHMS UNLESS OTHERWISE NOTED. (K-KILO OHM, M-MEG OHM)
 2. RESISTOR WATTAGES ARE [1/6W] UNLESS OTHERWISE NOTED.
 3. CAPACITANCE VALUES ARE INDICATED IN MICRO FARADS UNLESS OTHERWISE NOTED. (P-MICRO-MICRO FARAD)
 4. ALL CAPACITORS TEMPERATURE CHARACTERISTICS ARE (SL) (LESS THAN 1000PF) OR (ZF) (MORE THAN 1000PF) UNLESS OTHERWISE NOTED.

DESIGN	DRAWN BY	UNIDEN No.	MODEL No.
		UT-350Z	JÖHNSÖN F
KANAZAWA	YOSHIOKA	TITLE	
CHECK. BY	APPRO. BY	SCHEMATIC DIAGRAM	
		DRAWING No.	
REV. No.		UNIDEN CORP.	

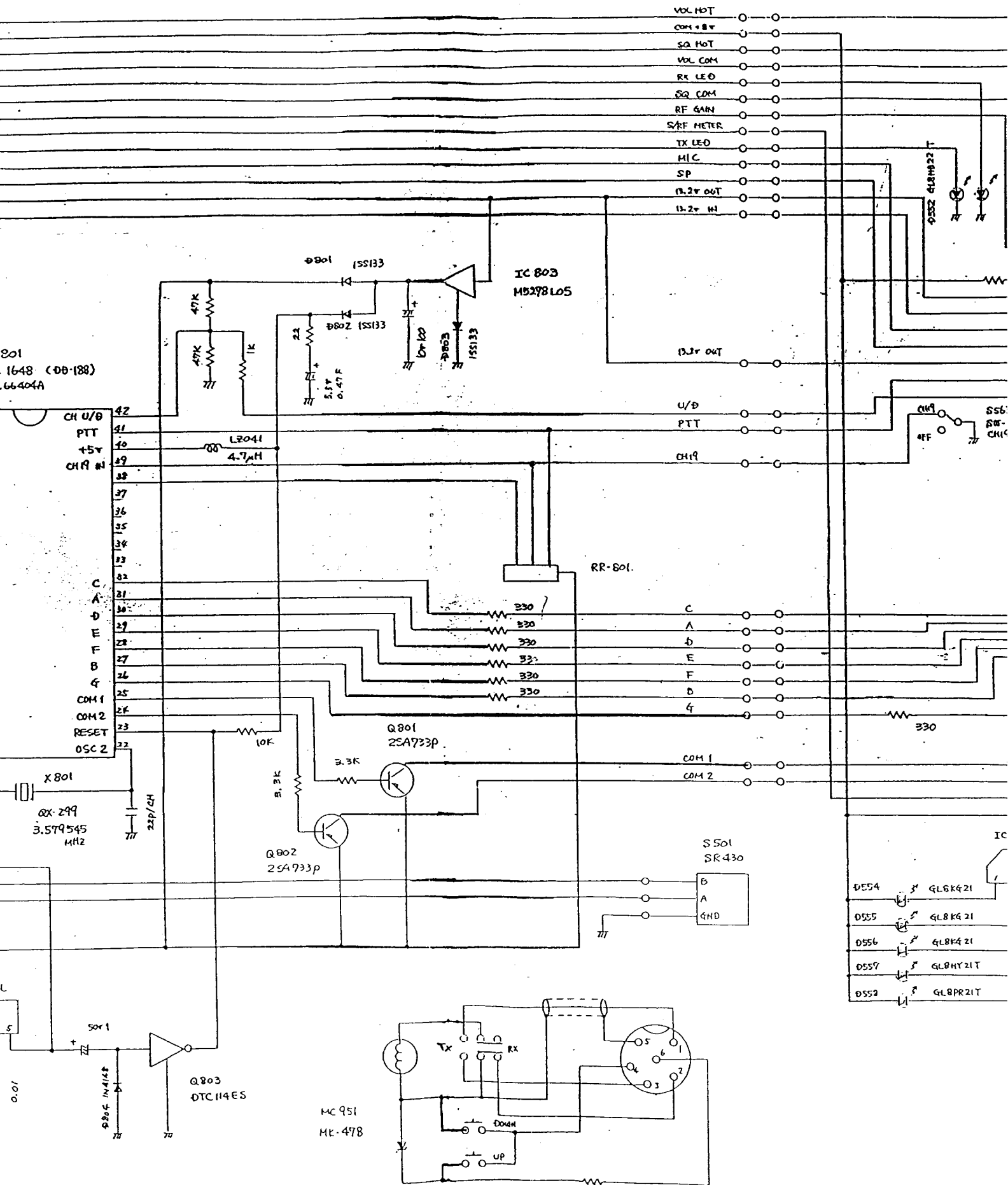
(A)

(2)



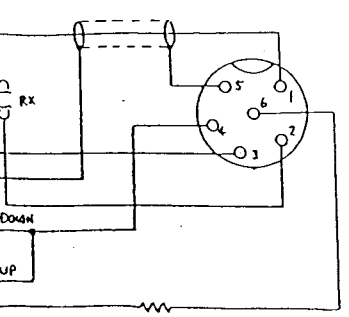
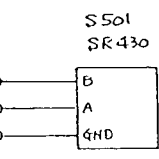
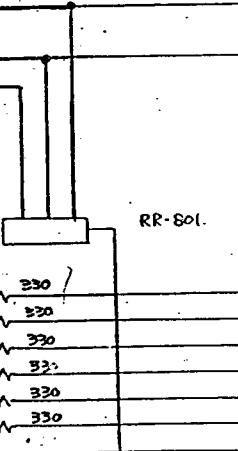
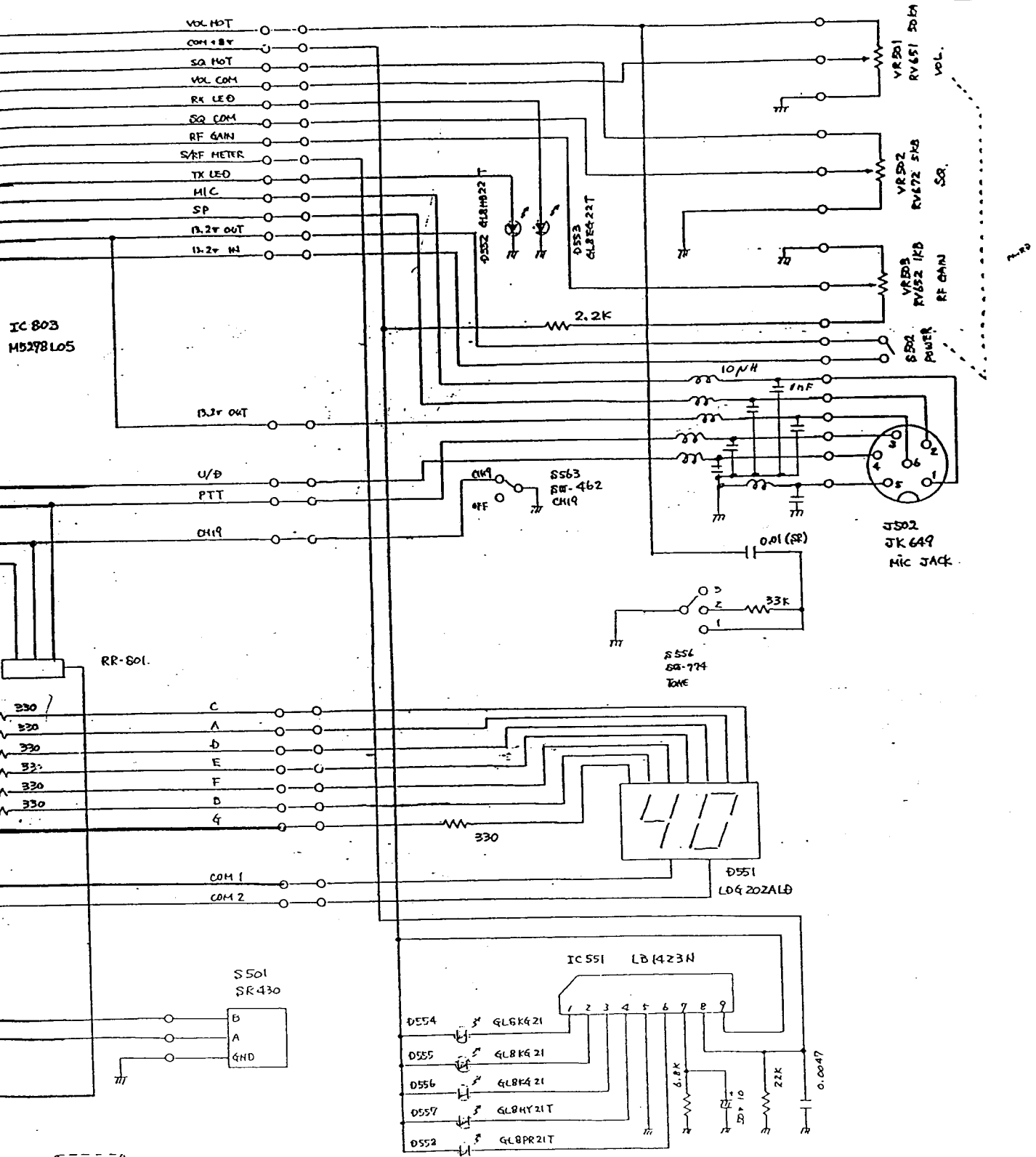
2

2



2

B

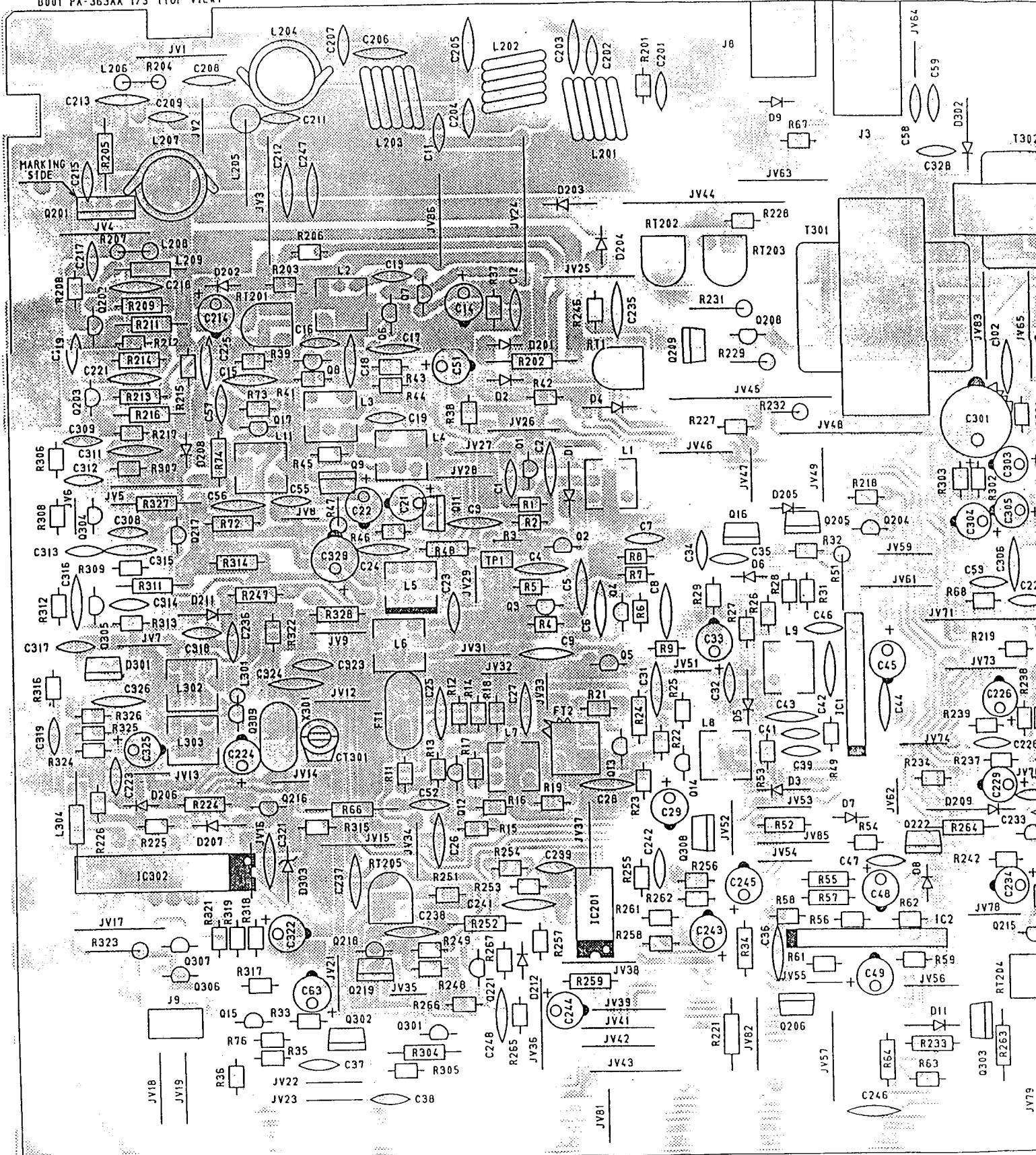


JOHNSON FM

(A)

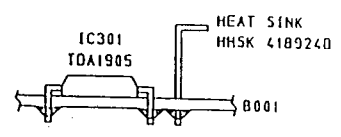
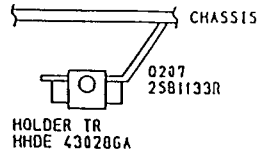
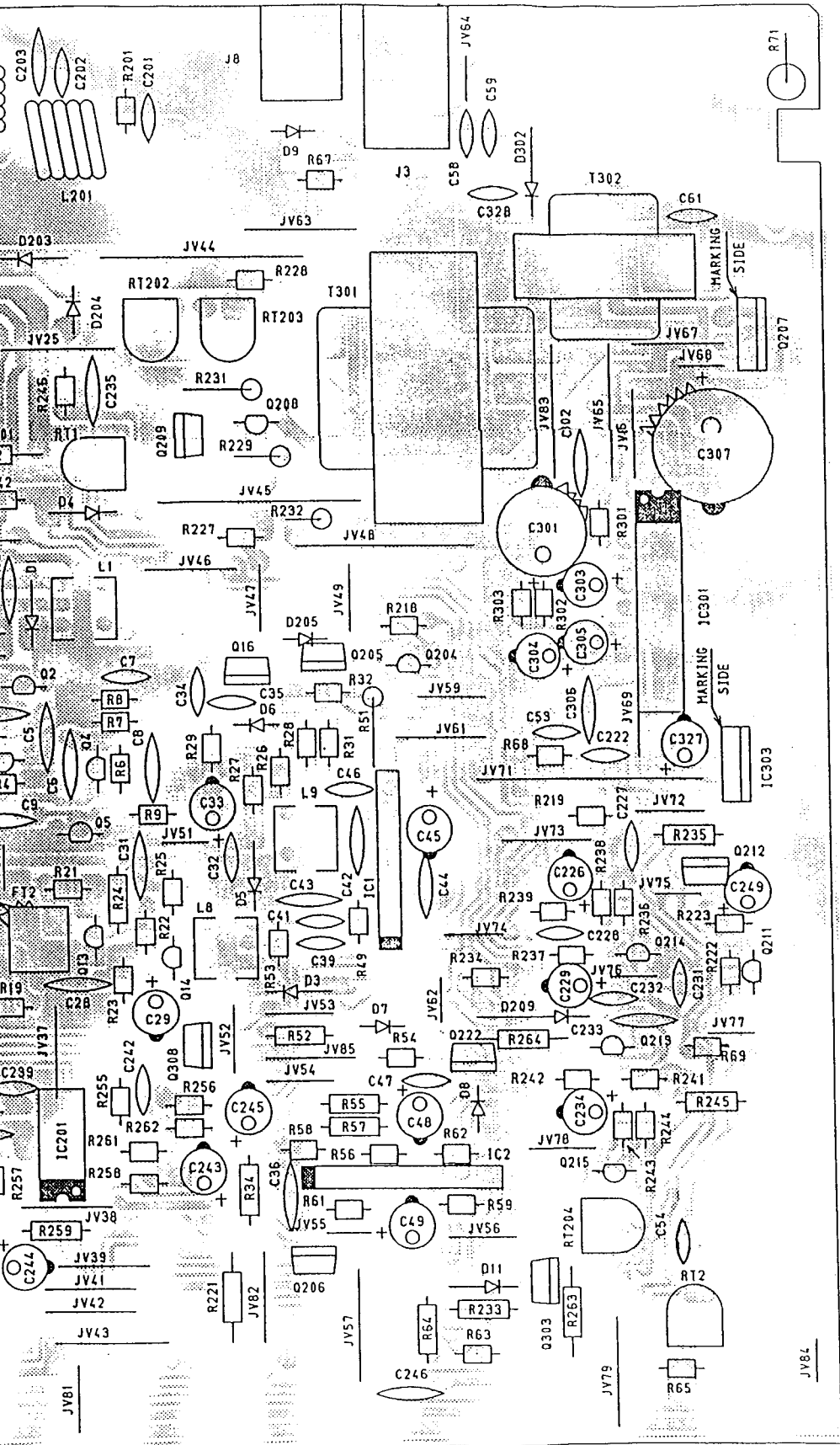
(B)

D001 PA-363AA 1/3 (TOP VIEW)



(3)

(3)



R20
R20
PCB

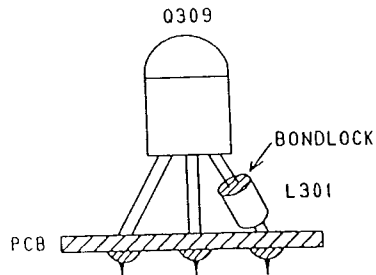
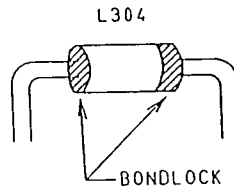
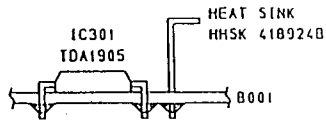
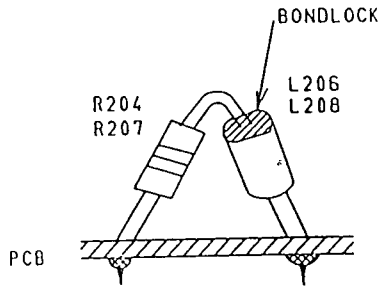
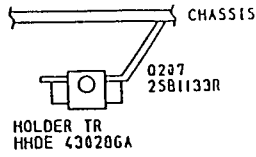
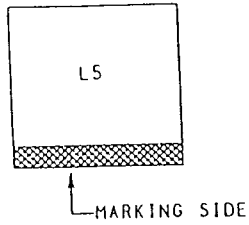
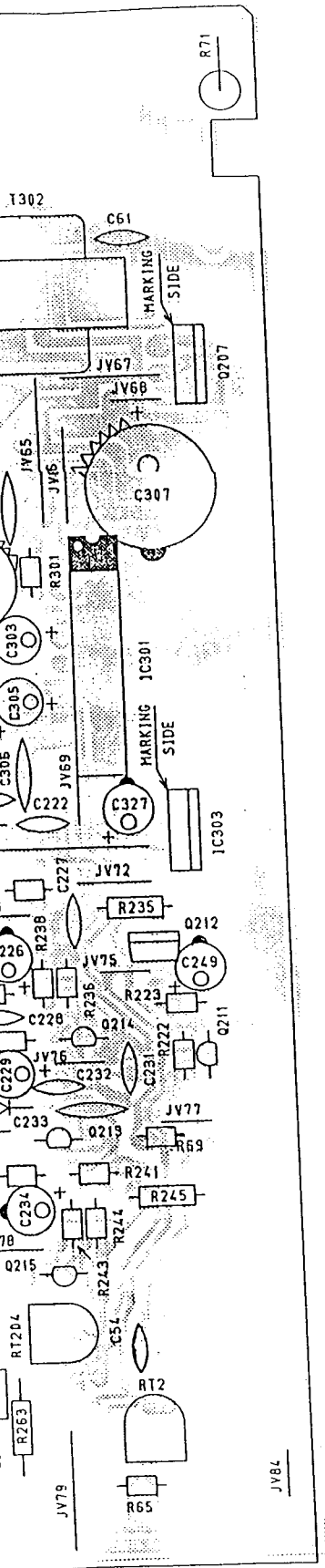
PCB

JOHNSON

(3)

PA363AA1T

(B)

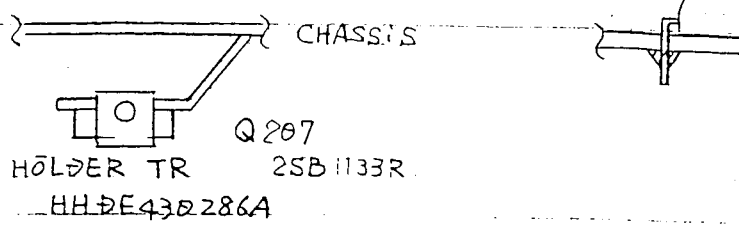
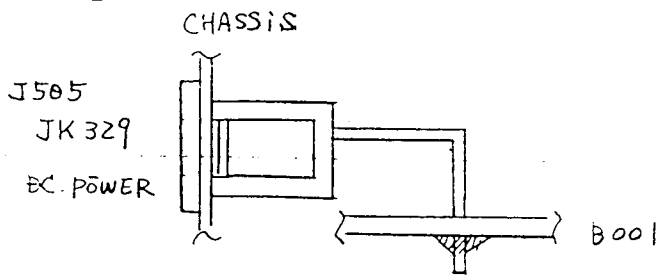


JOHNSON

JV84

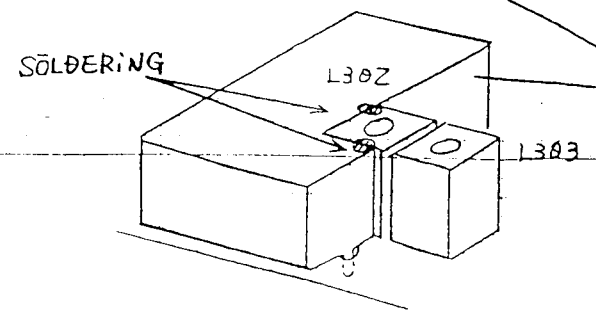
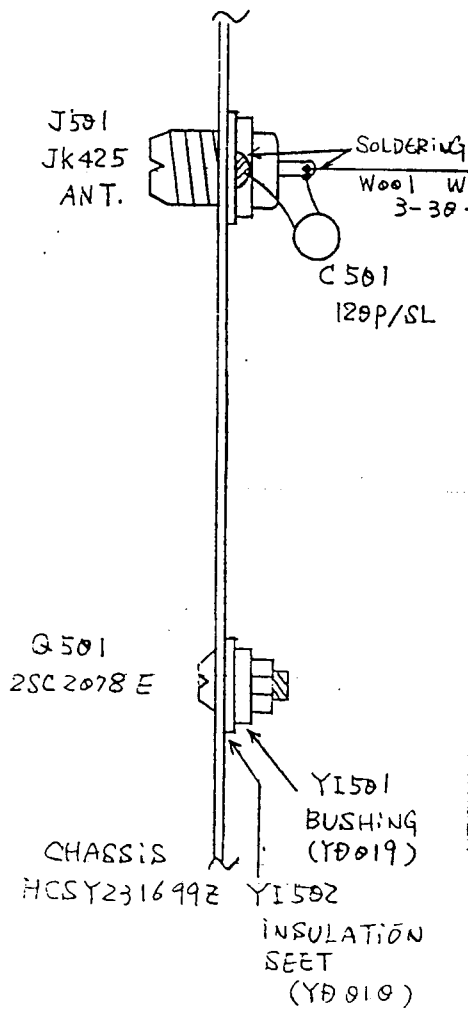
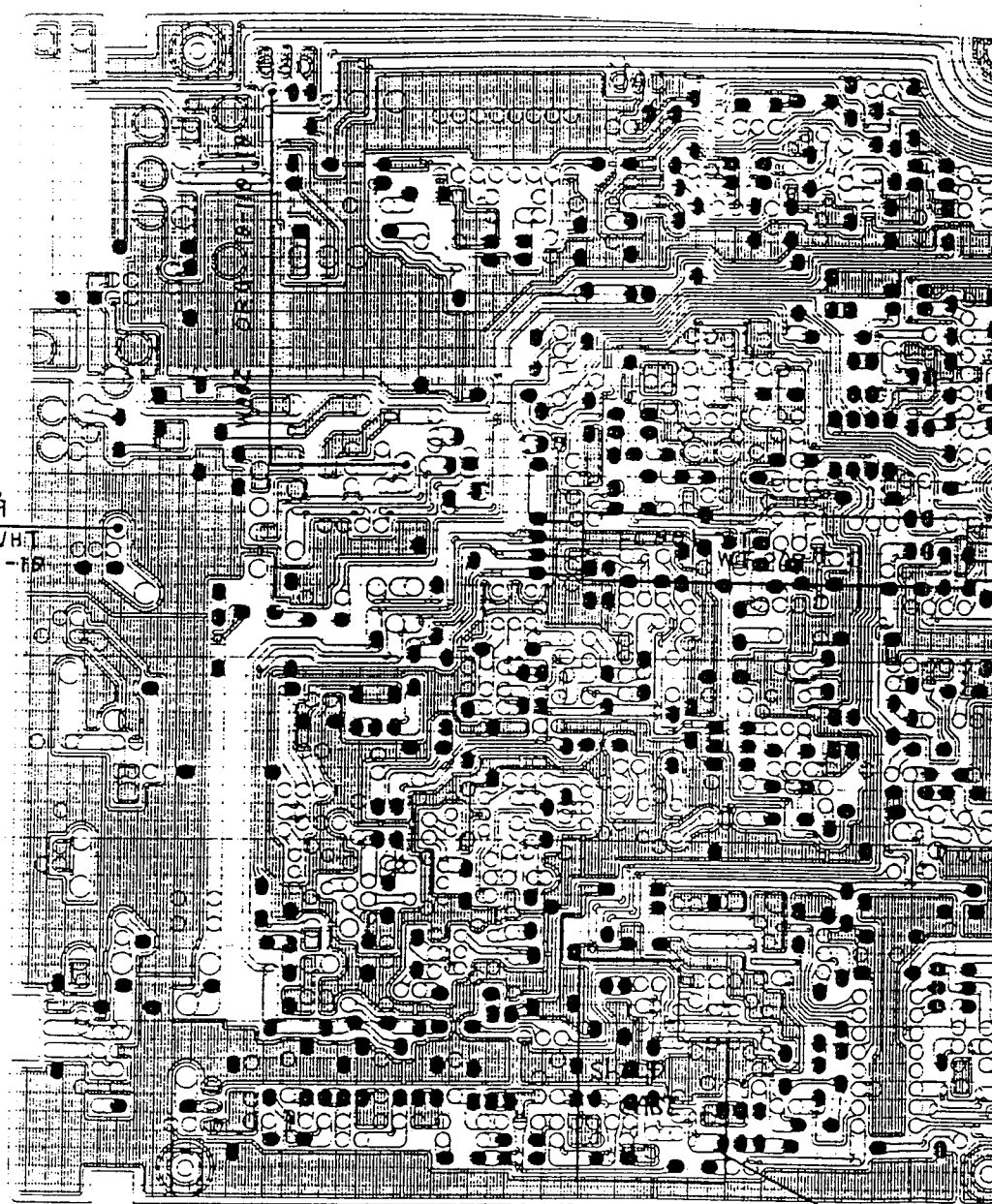
(A)

(4)



IC 30
TDA 196

B001 PA363AA 1/3 MAIN PCB (TOP VIEW)



4

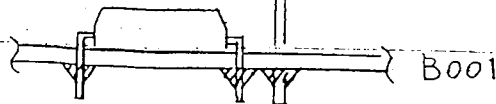
4

IC 301
TDA 1905

HEAT SINK
HHSK 4189 24B

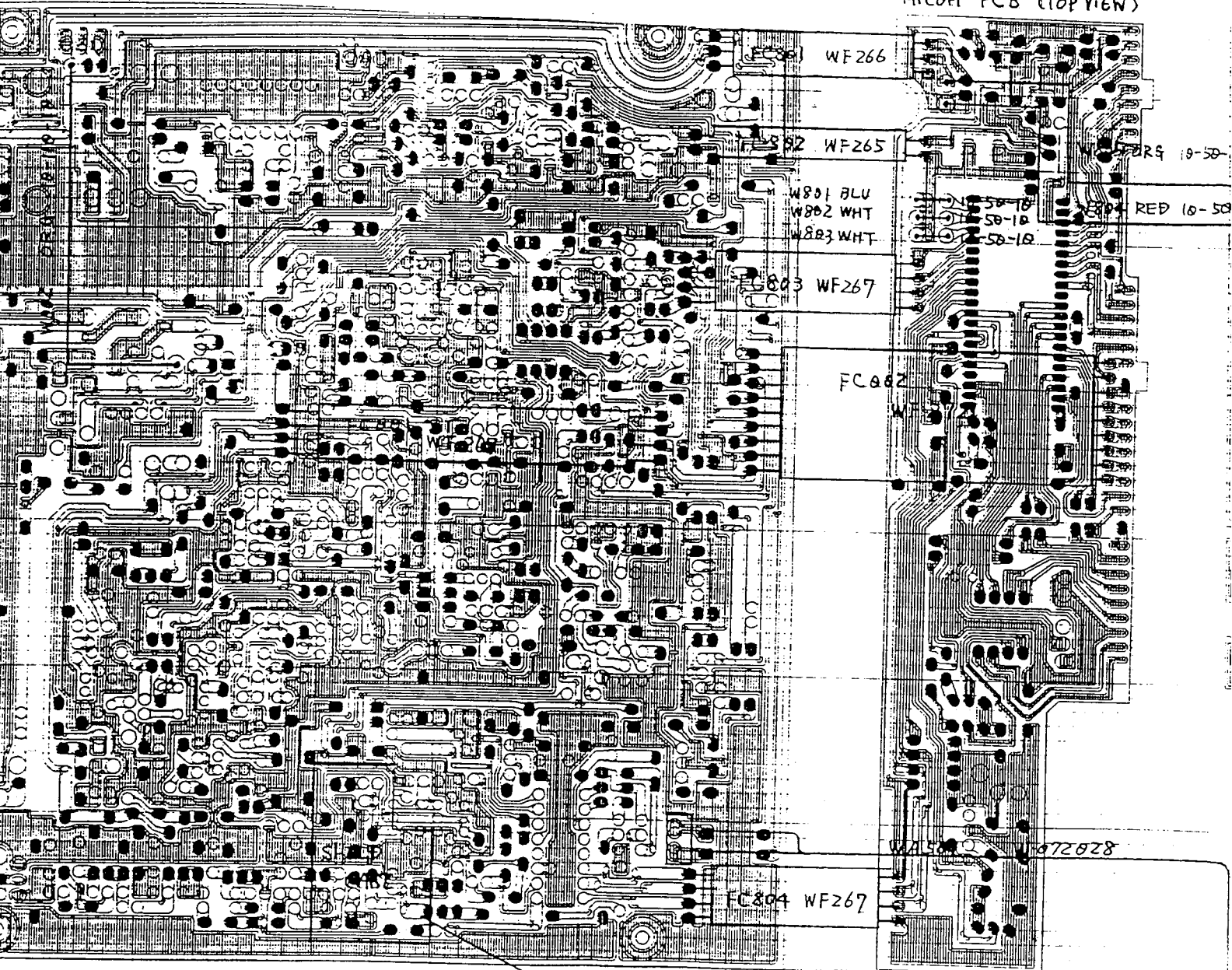
CHASSIS

Q207
HÖLDER TR 2SB1133R
HHDE430286A



33AA 1/3 MAIN PCB (TOP VIEW)

B801 PA363AA 3/3
MICOM PCB (TOP VIEW)



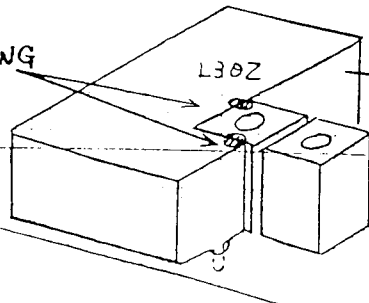
SÖLDERING

L302

SHIELD CASE

L303

HSDC432003Z



4

B

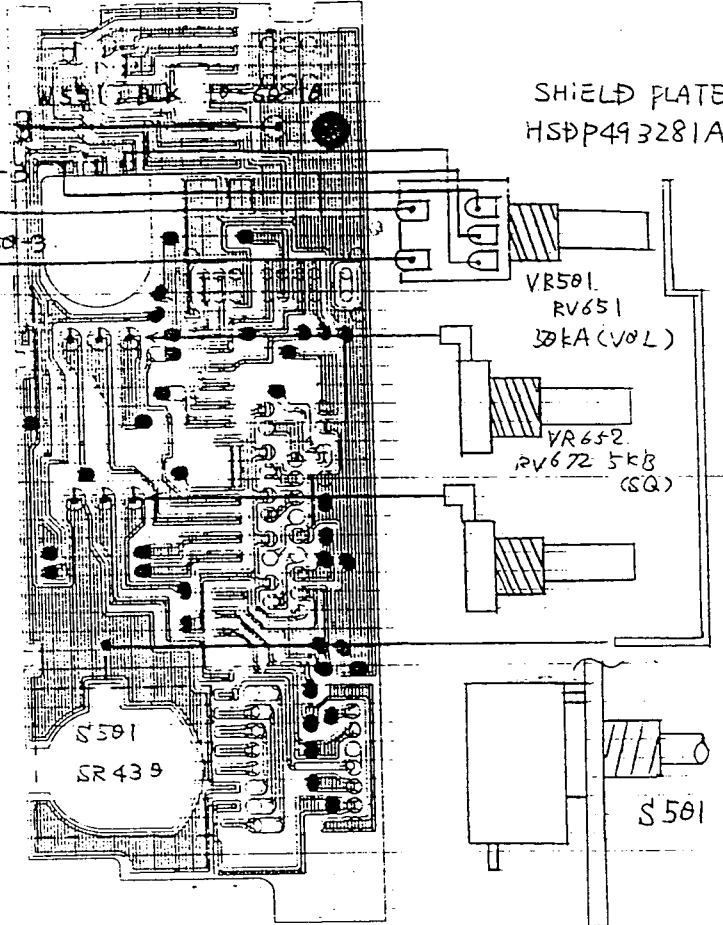
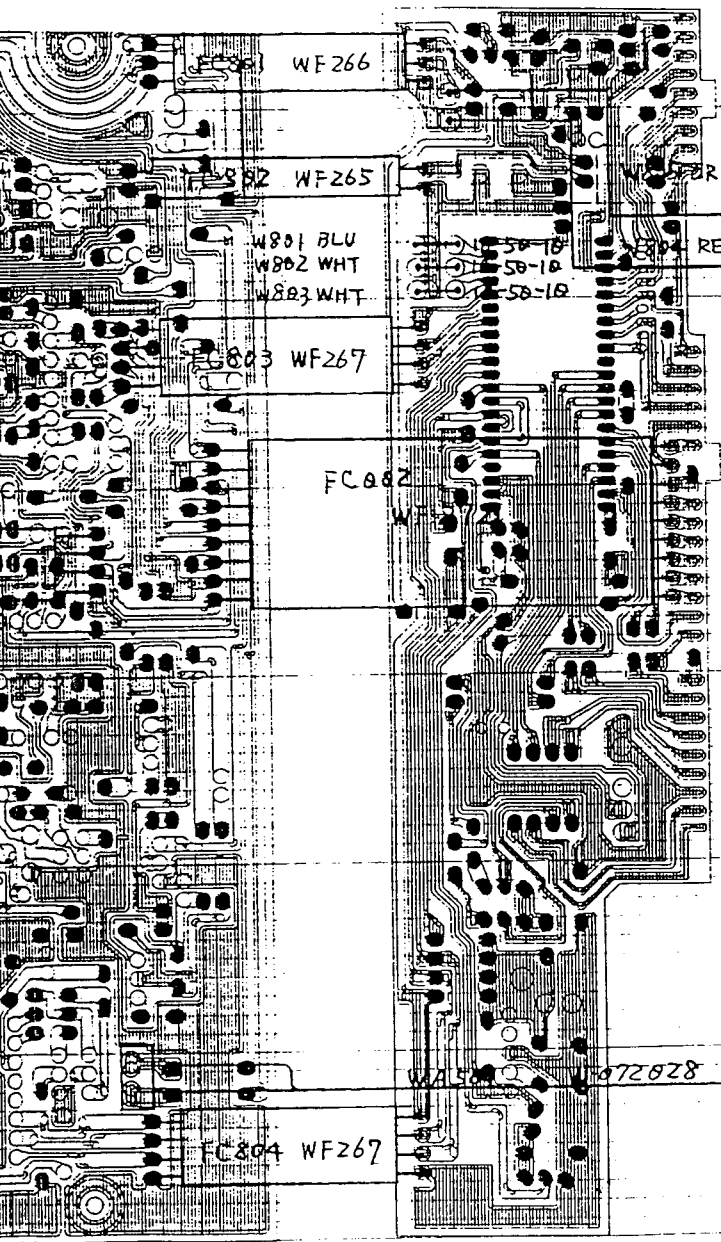
C301
A1905

HEAT SINK
HHSK418924B

B001

B801 PA363AA 3/3
MICOM PCB (TOP VIEW)

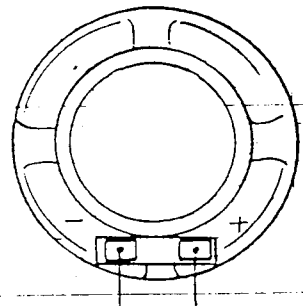
B551 PA363AA 7/3
FRONT PCB (TOP VIEW)



SHIELD PLATE
HSDP493281A

B551

SP501
SP337



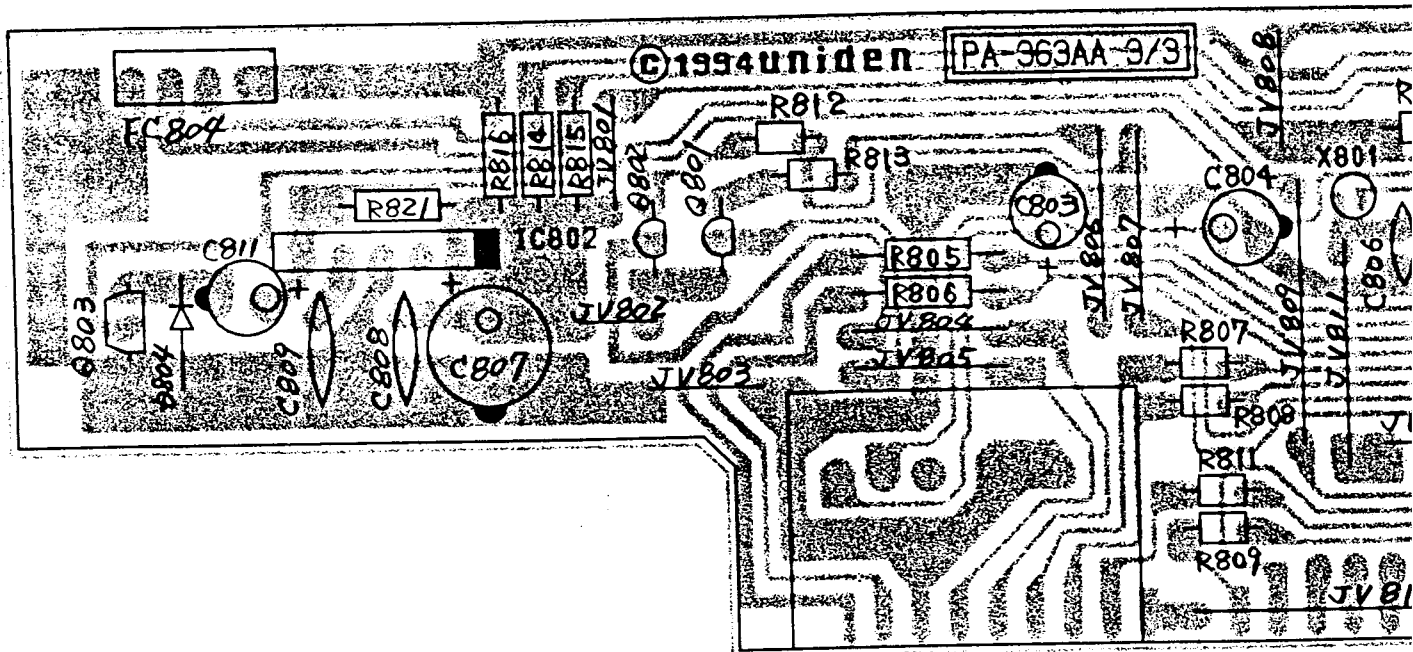
SHIELD CASE
HSDC432003Z

Johnson

WIRING DIAGRAM 1/2

A

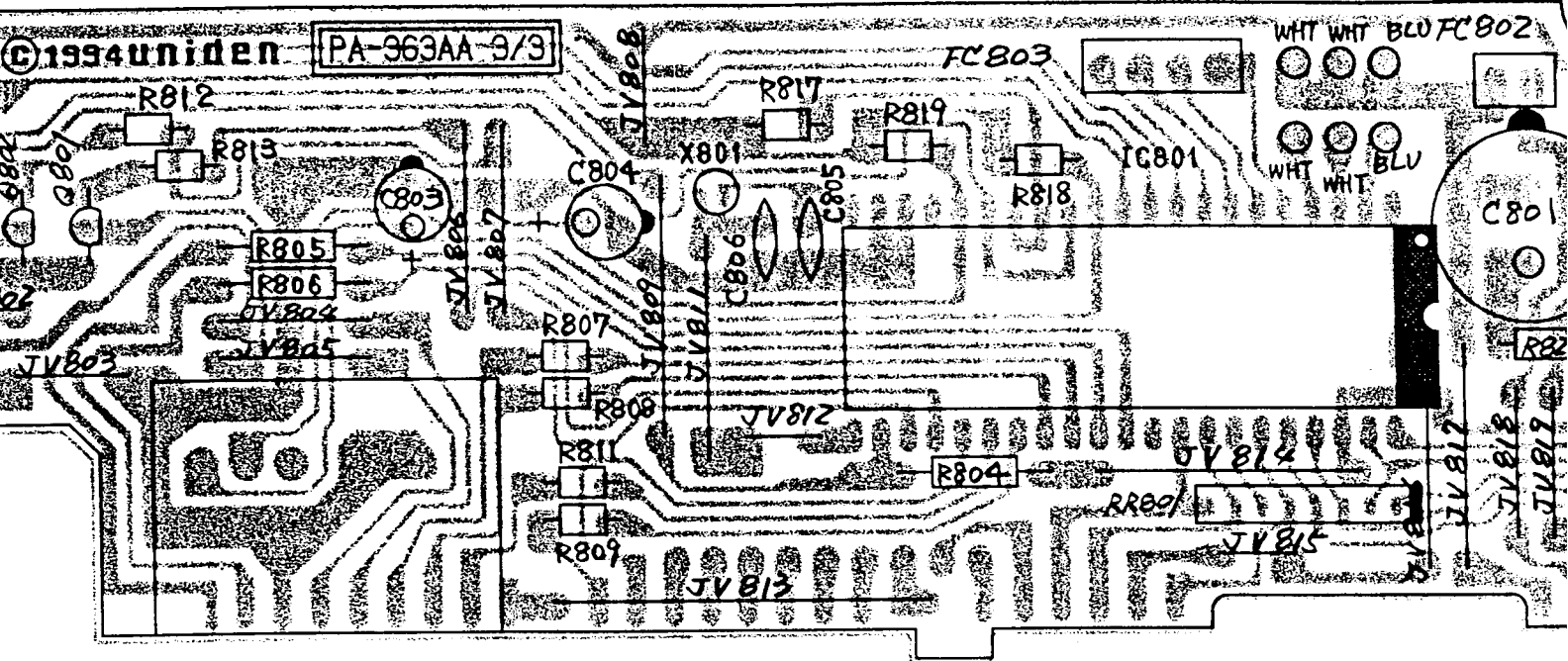
5



DESIGN	DRAWN BY	
CHECK BY	APPRO BY	TITLE MICOM PARTS ASS'Y
REV. NO.		DRAWING NO.

5

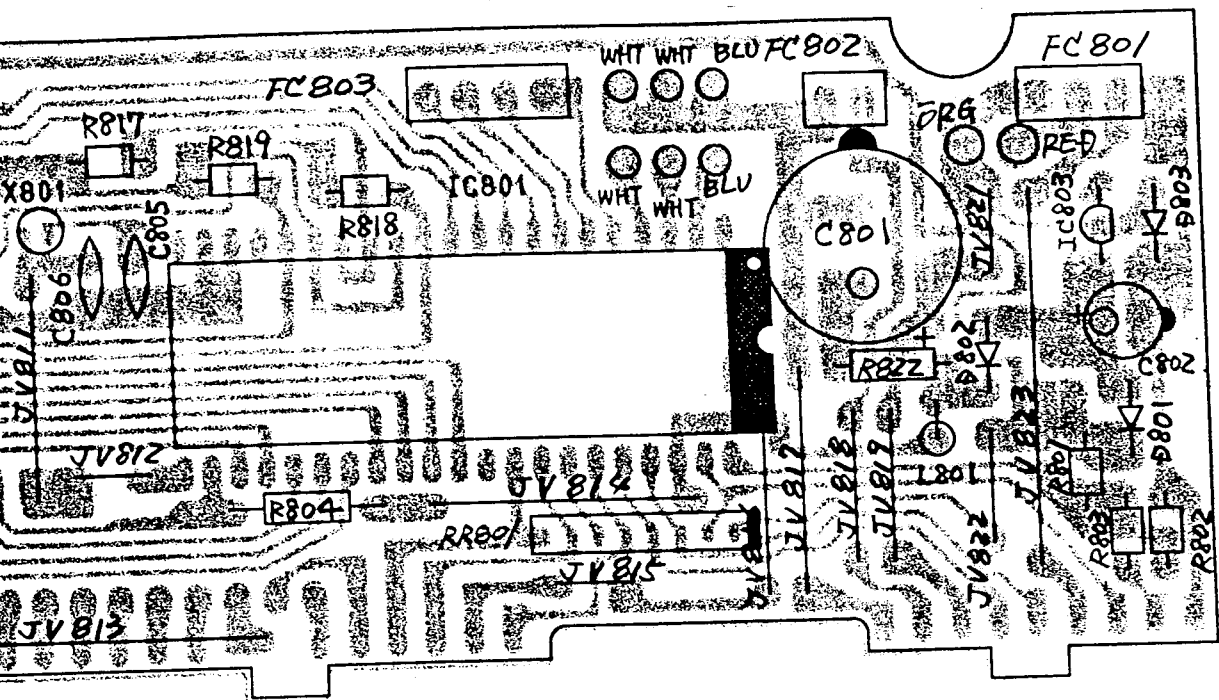
5



DESIGN	DRAWN BY		MODEL NO. JOHNSON
CHECK BY	APPRO BY	TITLE MICOM PCB PARTS ASS'Y (TOP VIEW)	
		DRAWING NO.	
REV. NO.			

5

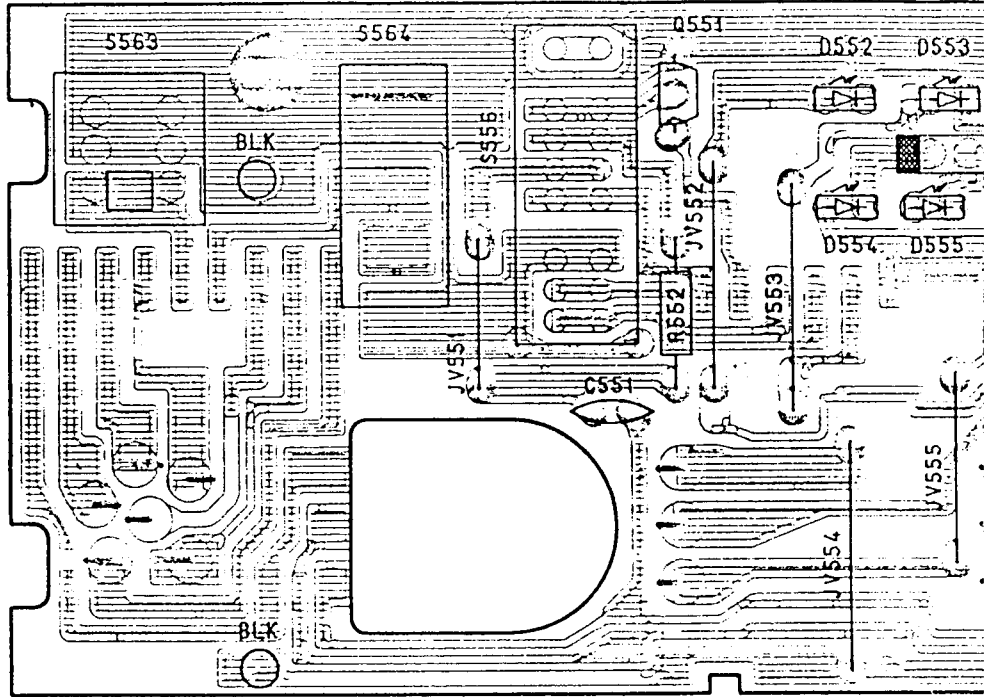
D



MODEL NO.	JOHNSON
MICOM PCB ASS'Y (TOP VIEW)	
FIG. NO.	

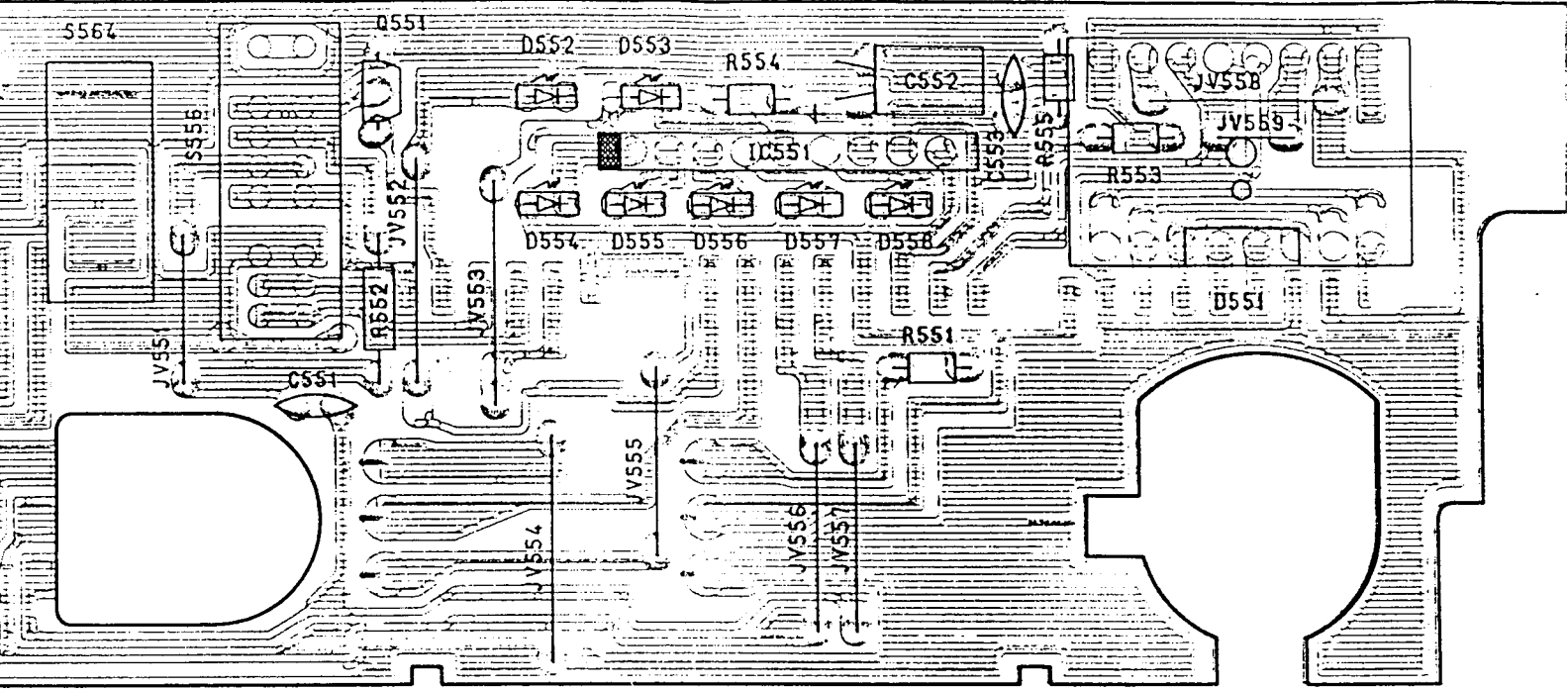
A

6



(6)

(6)



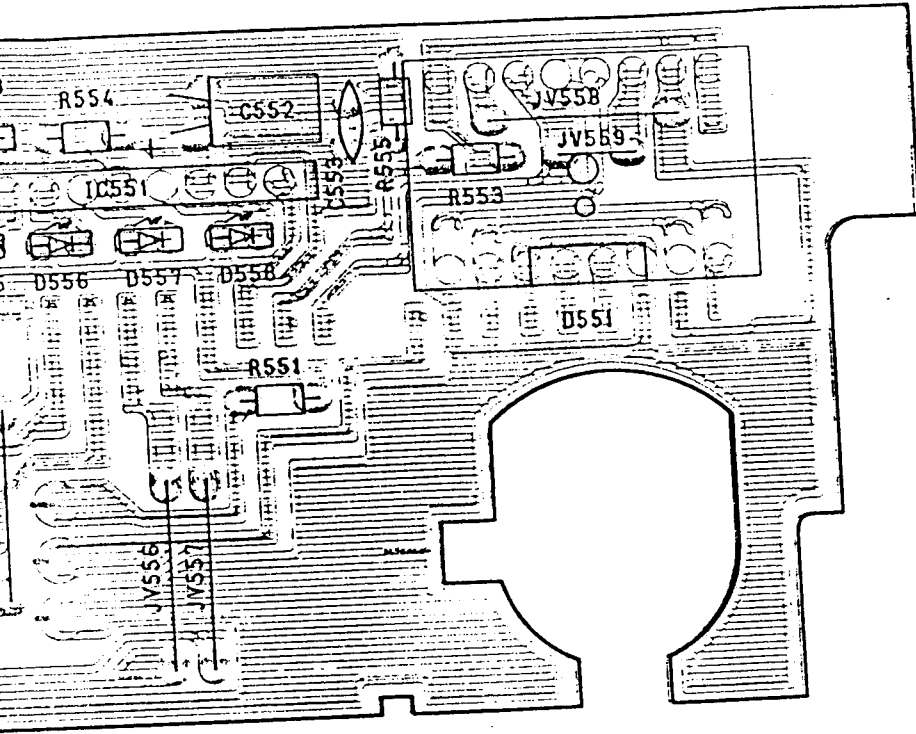
NOTES:

1. RESISTANCE VALUE OTHERWISE NOTED
2. RESISTOR WATTAGE UNLESS OTHERWISE
3. CAPACITANCE VALUE FARADS UNLESS OTHERWISE NOTED (P=MICRO-MICRO F)
4. ALL CAPACITORS T ARE ZF UNLESS OTHERWISE

DESIGN	DRAWN BY
CHECK BY	APPRO BY
REV. NO.	

6

B



NOTES:

1. RESISTANCE VALUES ARE SHOWN IN OHMS UNLESS OTHERWISE NOTED. (K=KILO OHM, M=MEG OHM.)
2. RESISTOR WATTAGES ARE $\frac{1}{6}W$ UNLESS OTHERWISE NOTED.
3. CAPACITANCE VALUES ARE INDICATED IN MICRO FARADS UNLESS OTHERWISE NOTED. (P=MICRO-MICRO FARAD)
4. ALL CAPACITORS TEMPERATURE CHARACTERISTICS ARE ZF UNLESS OTHERWISE NOTED.

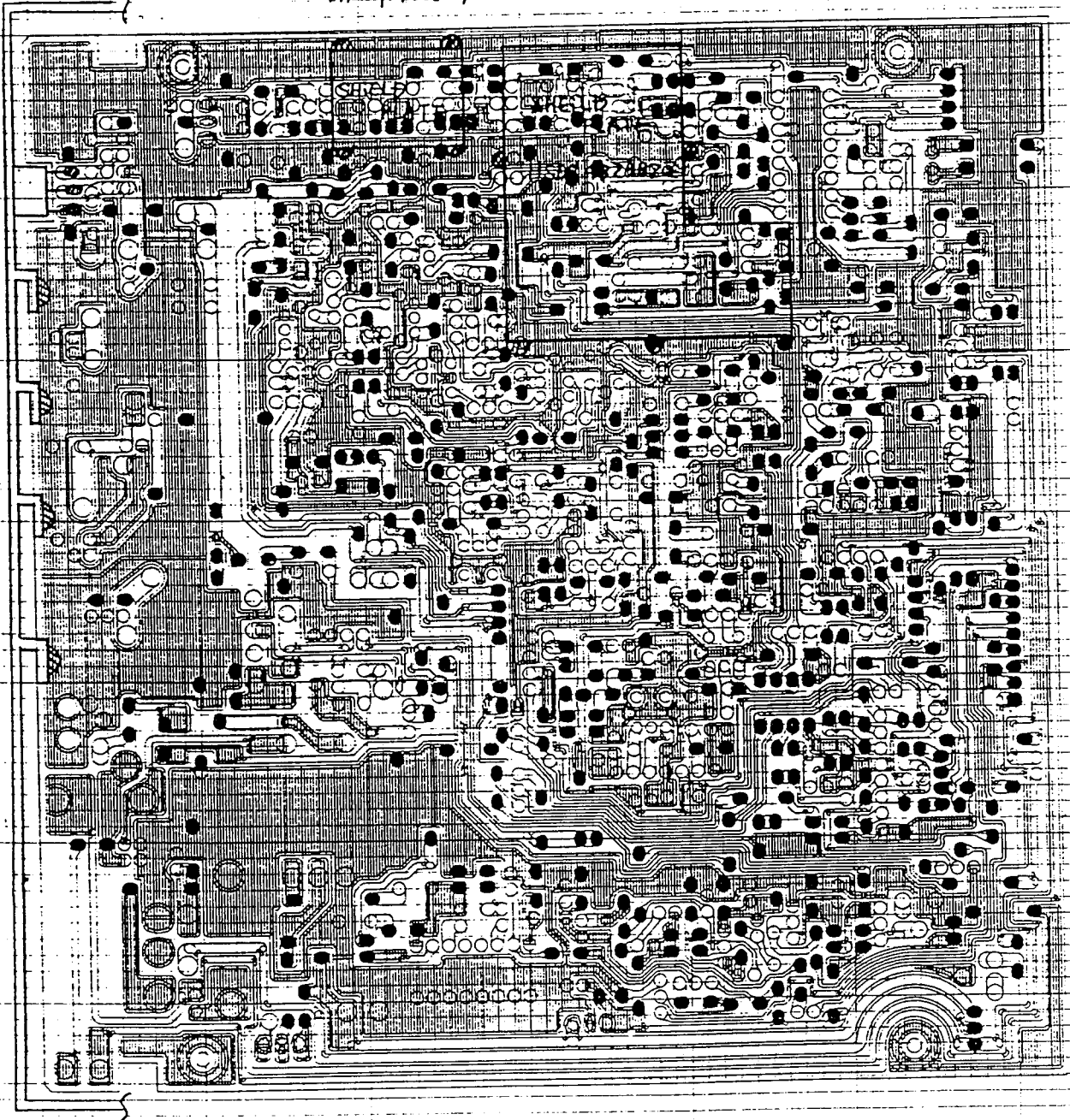
DESIGN	DRAWN BY	MODEL NO.
		JOHNSON
CHECK BY	APPRO BY	TITLE FRONT PCB PARTS ASS'Y (TOP VIEW)
		DRAWING NO.
REV. NO.		

(A)

(7)

HSDP411387B

Q501



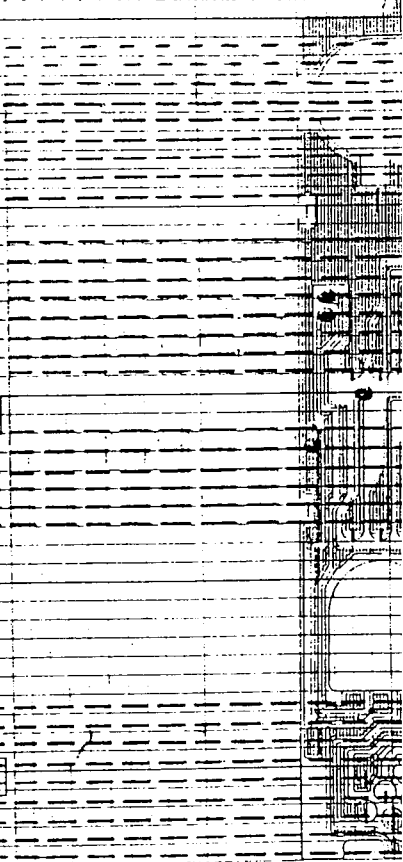
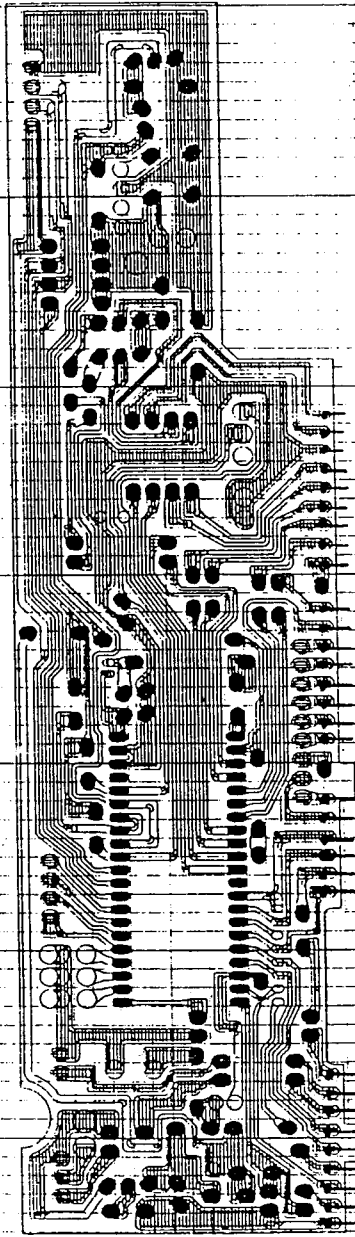
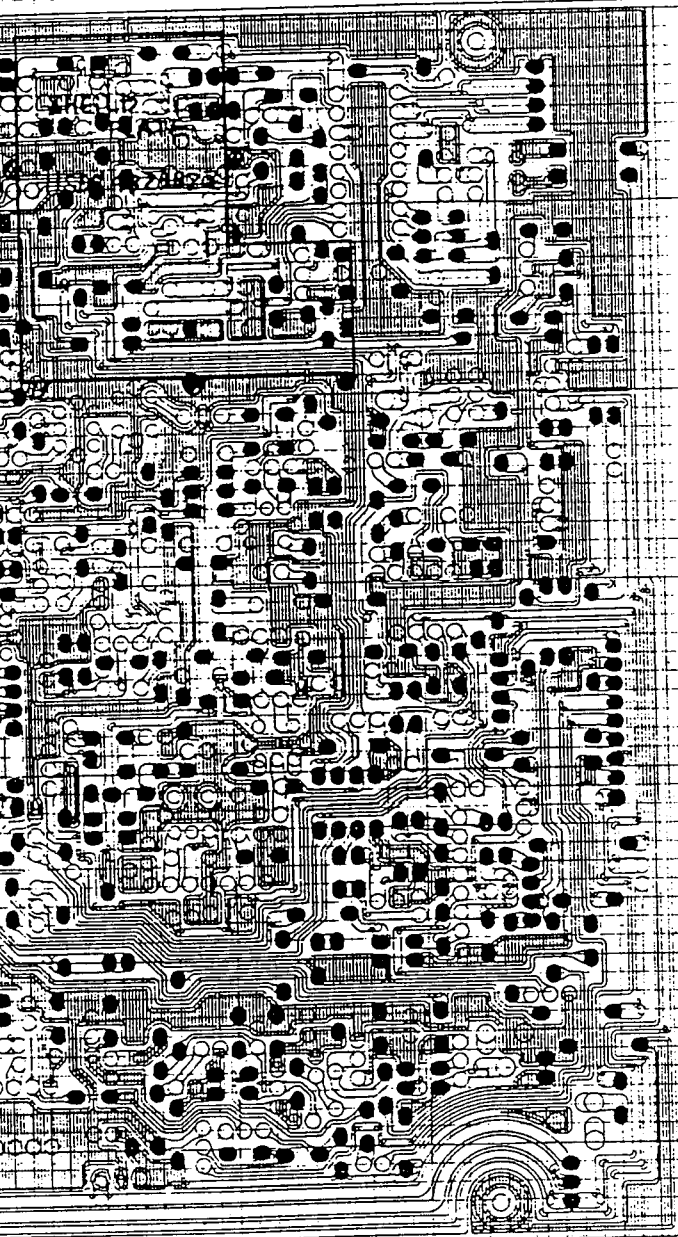
⊗ SOLDERING

7

7

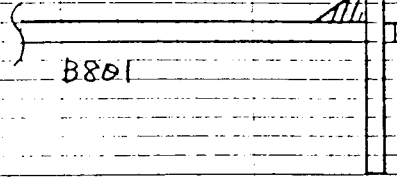
B801

B551



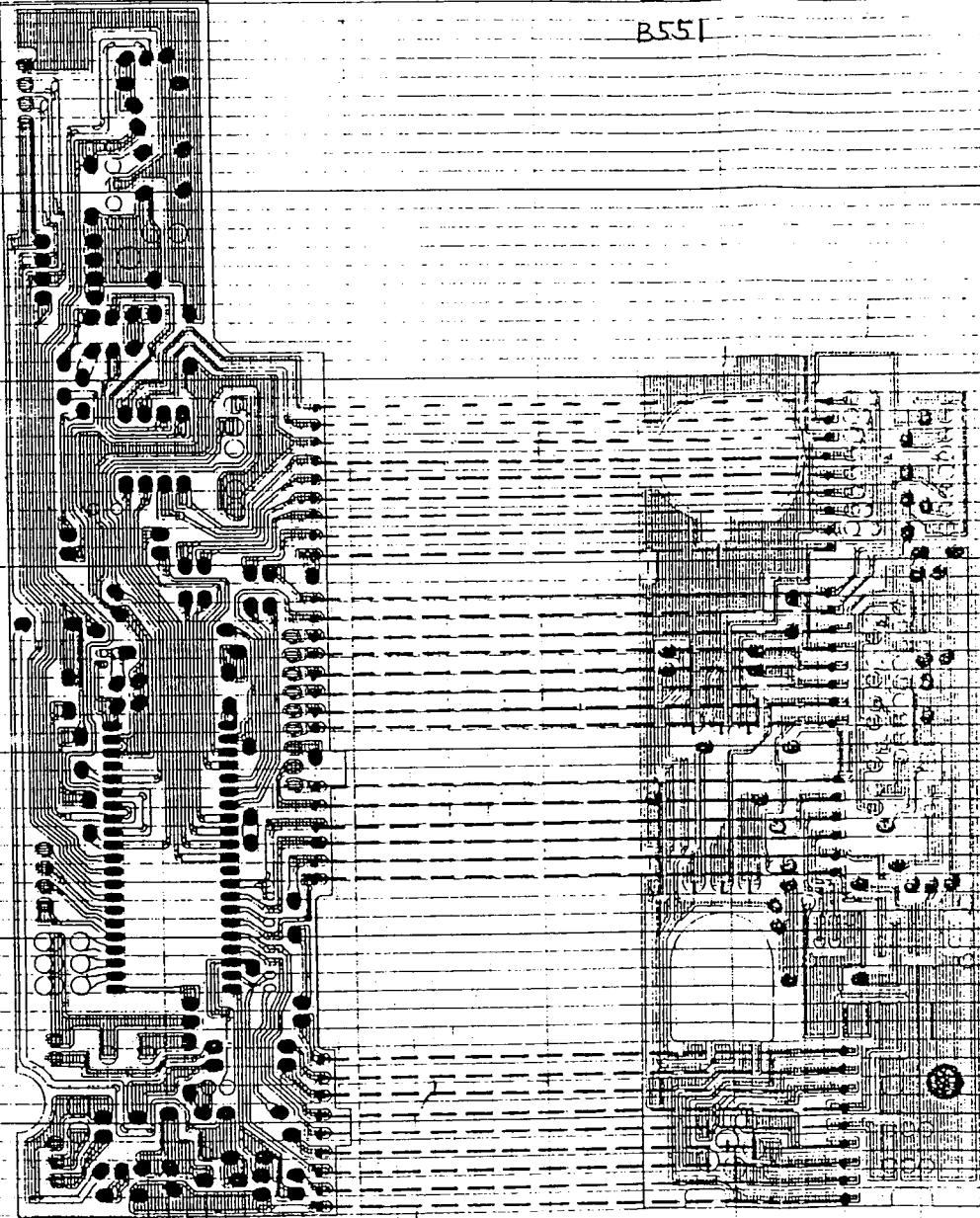
7

7



B

B551



(特許書式1-7)

Johnson

WIRING DIAGRAM 3/2