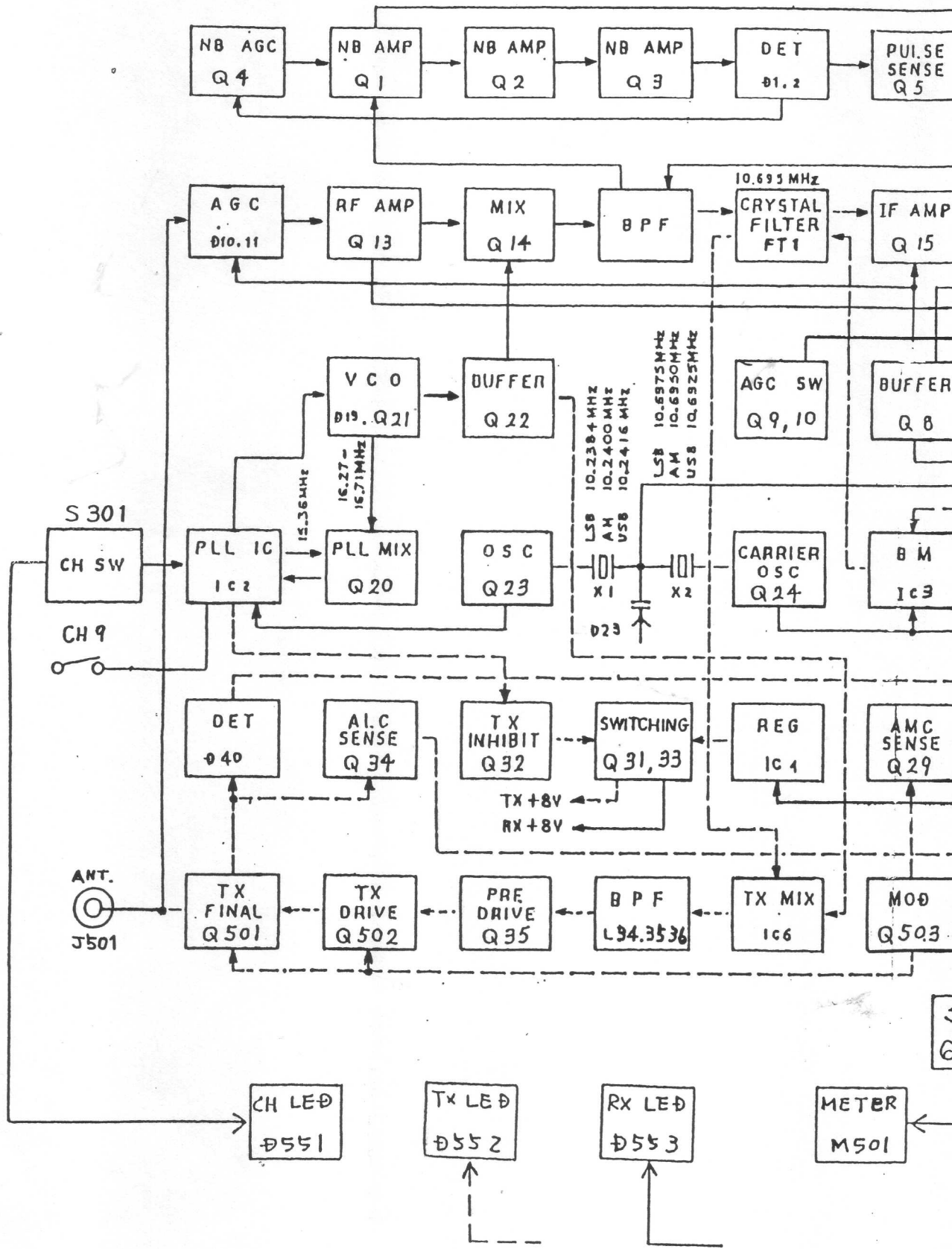
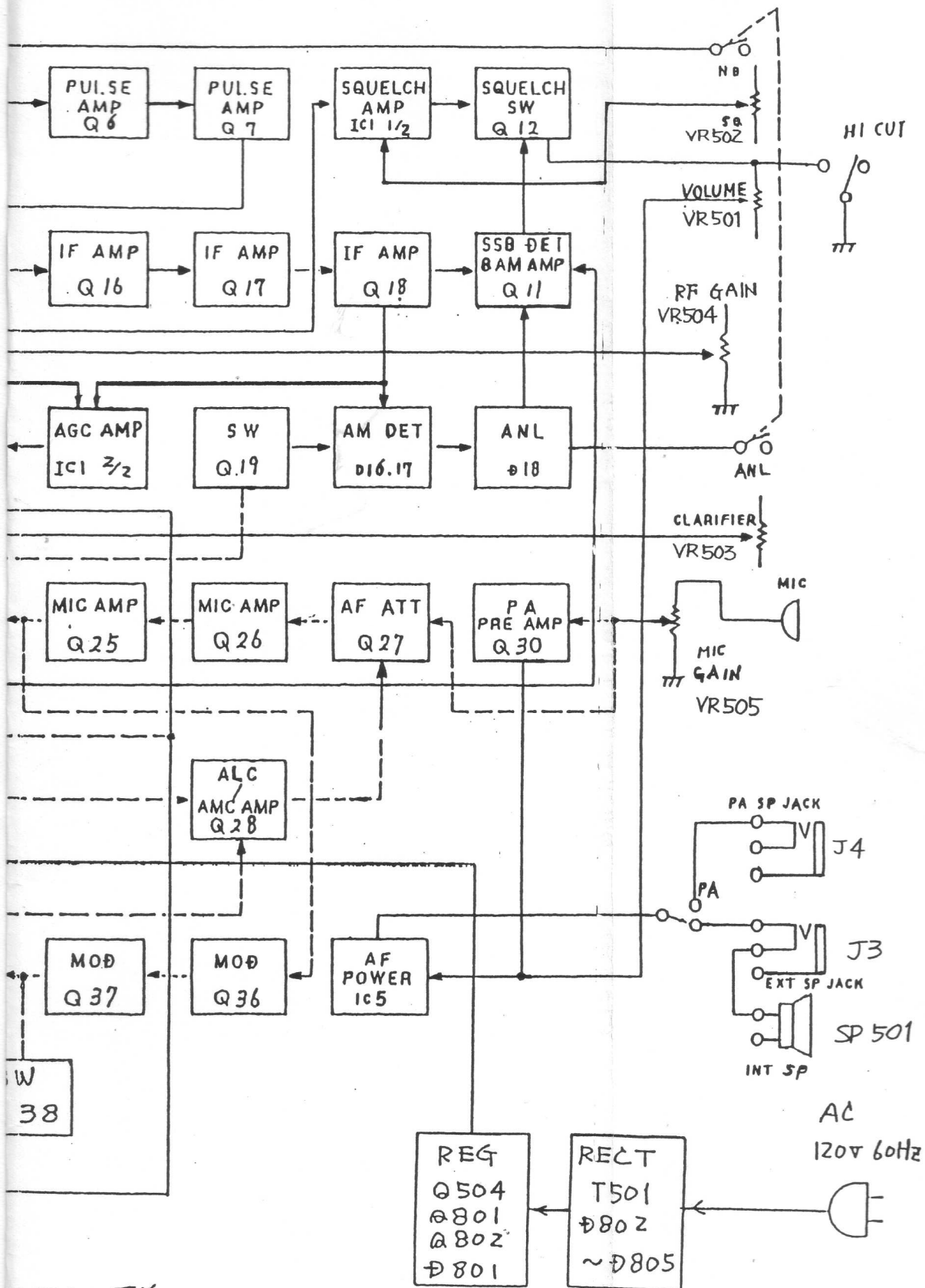


BLOCK DIAGRAM

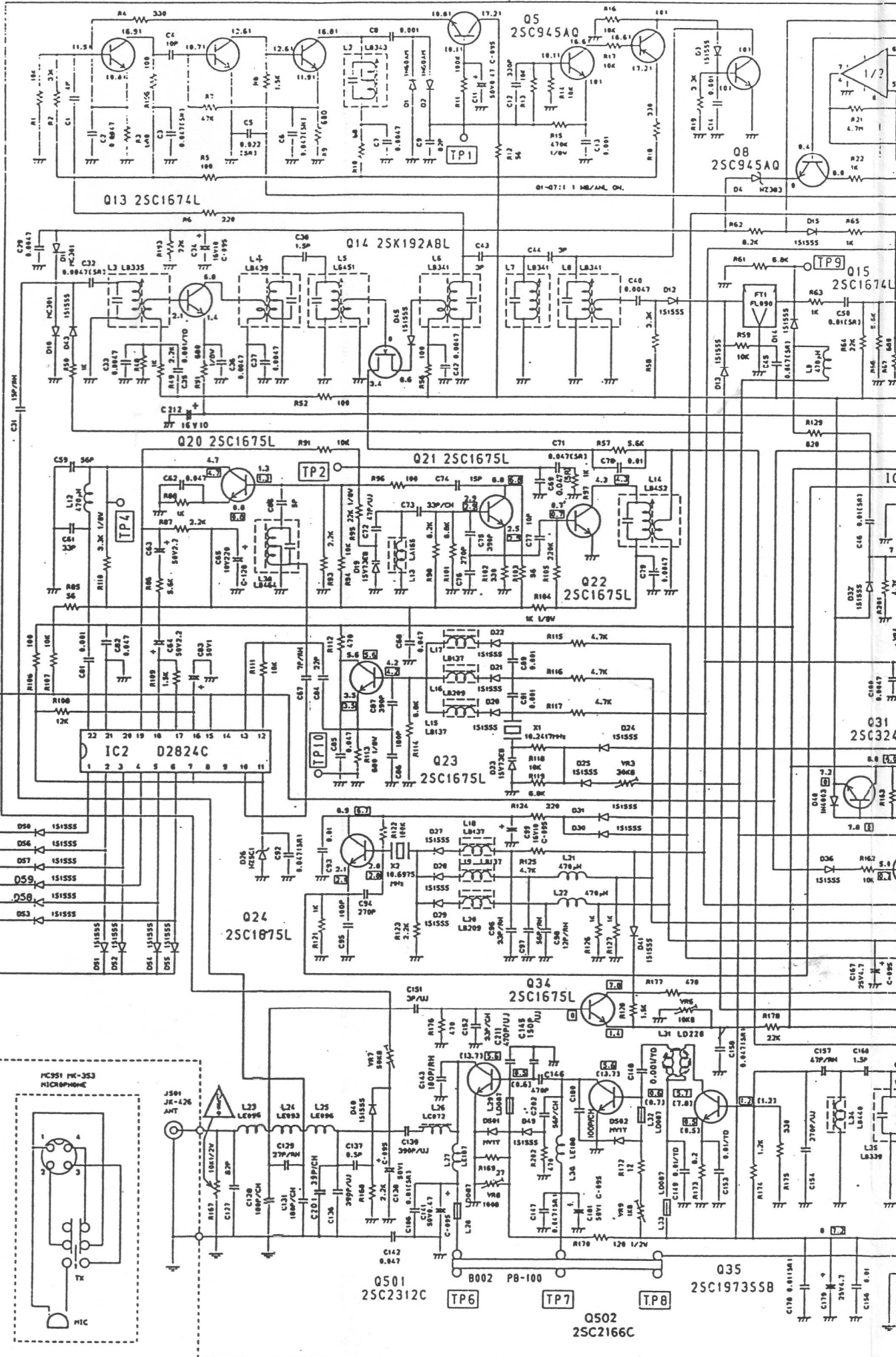




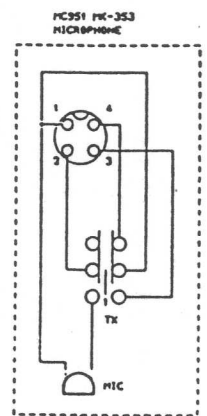
TX

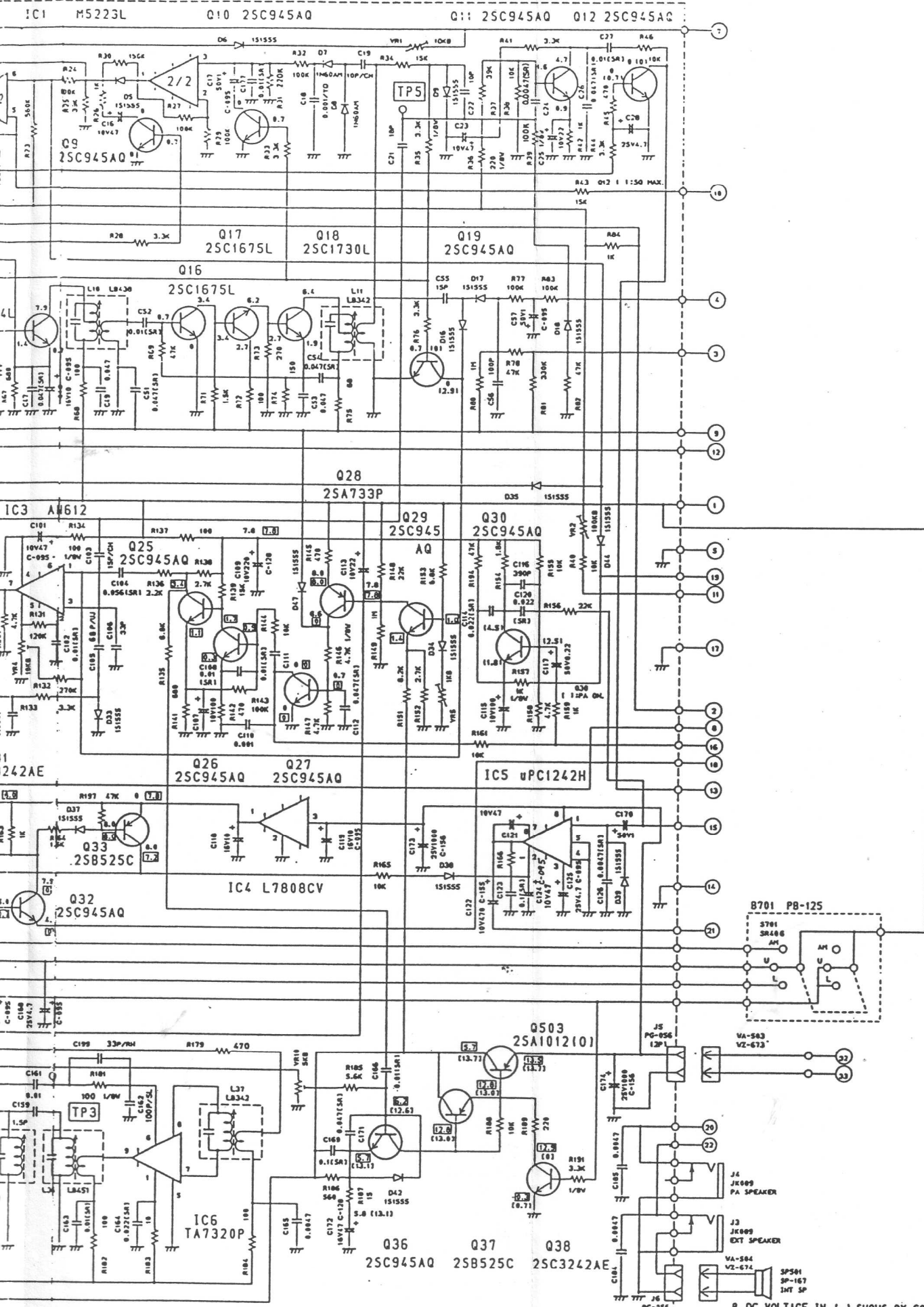
RX

Q1 2SC1675L Q2 2SC1675L Q3 2SC1736L Q4 2SC945A0 Q5 2SC945A0 Q6 2SA733P Q7 2SC945A0



- 24
- 25
- 26
- 27
- 28
- 29
- 30
- 31





- NOTES:
1. RESISTANCE VALUES ARE SHOWN IN OHMS UNLESS OTHERWISE NOTED. 1K-KILO OHM, M-MEG OHM
 2. RESISTOR WATTAGES ARE 1/8W UNLESS OTHERWISE NOTED.
 3. CAPACITANCE VALUES ARE INDICATED IN MICRO FARADS UNLESS OTHERWISE NOTED. 1P-MICRO-MICRO FARAD
 4. ALL CAPACITORS TEMPERATURE CHARACTERISTICS ARE 5L (LESS THAN 1000PF), 2F (0.0047uF) OR YF (0.001uF-0.039uF) UNLESS OTHERWISE NOTED.
 5. DC VOLTAGE IN \square SHOWS TX AM CONDITION.
 6. DC VOLTAGE IN () SHOWS TX SSB CONDITION.
 7. DC VOLTAGE IN NO MARK SHOWS RX CONDITION.

8. DC VOLTAGE IN \square SHOWS RX CONDITION UNDER OPERATION OF EACH FANCTION.

C132	0.00170
C133	0.0170
C134	0.01
C138	0.015A
C139	0.015A
C140	0.027YF