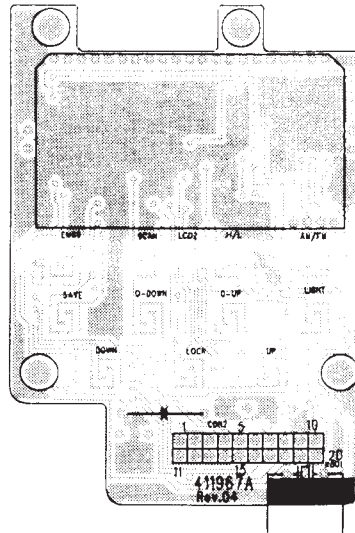
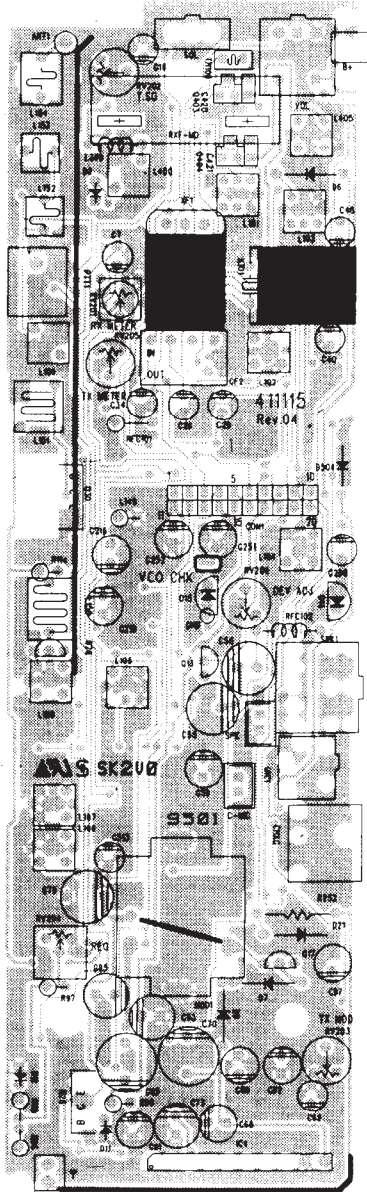
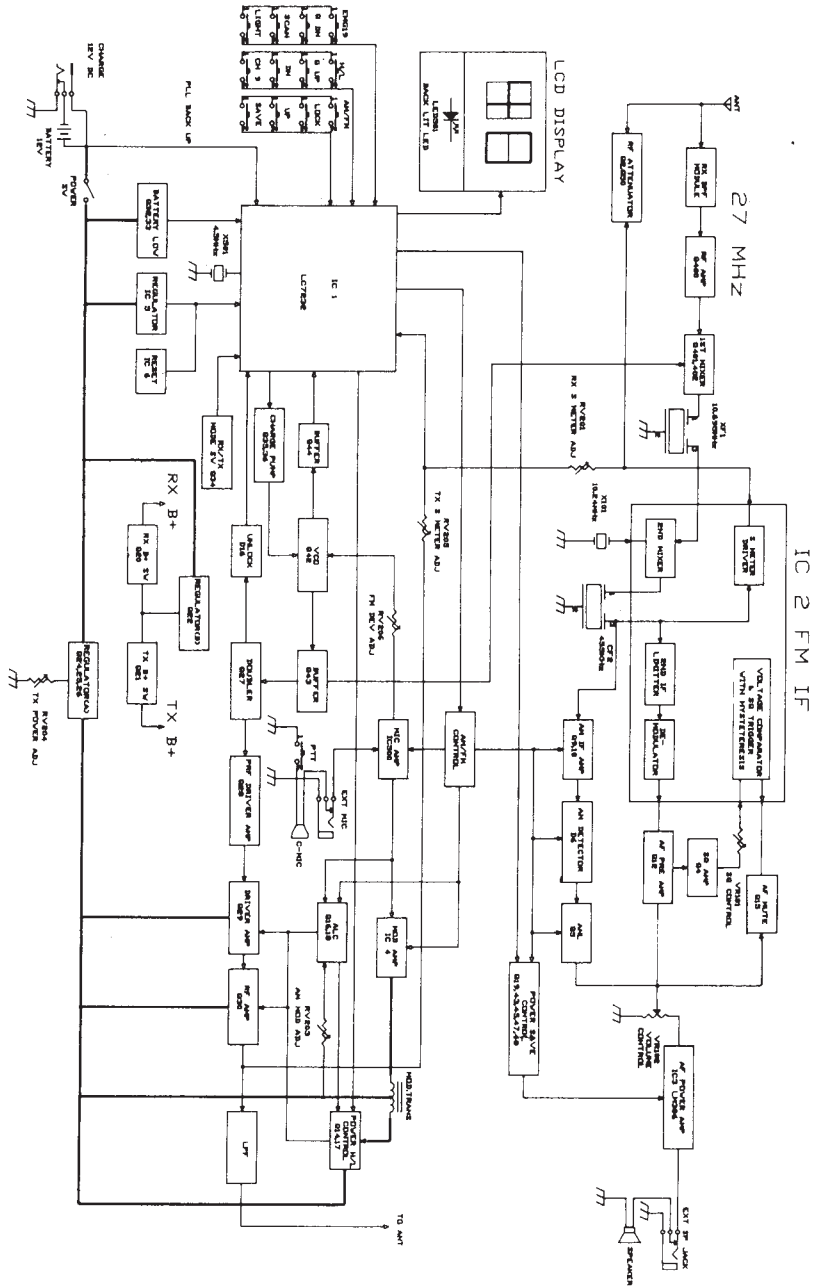


CIRCUIT IMPRIMÉ

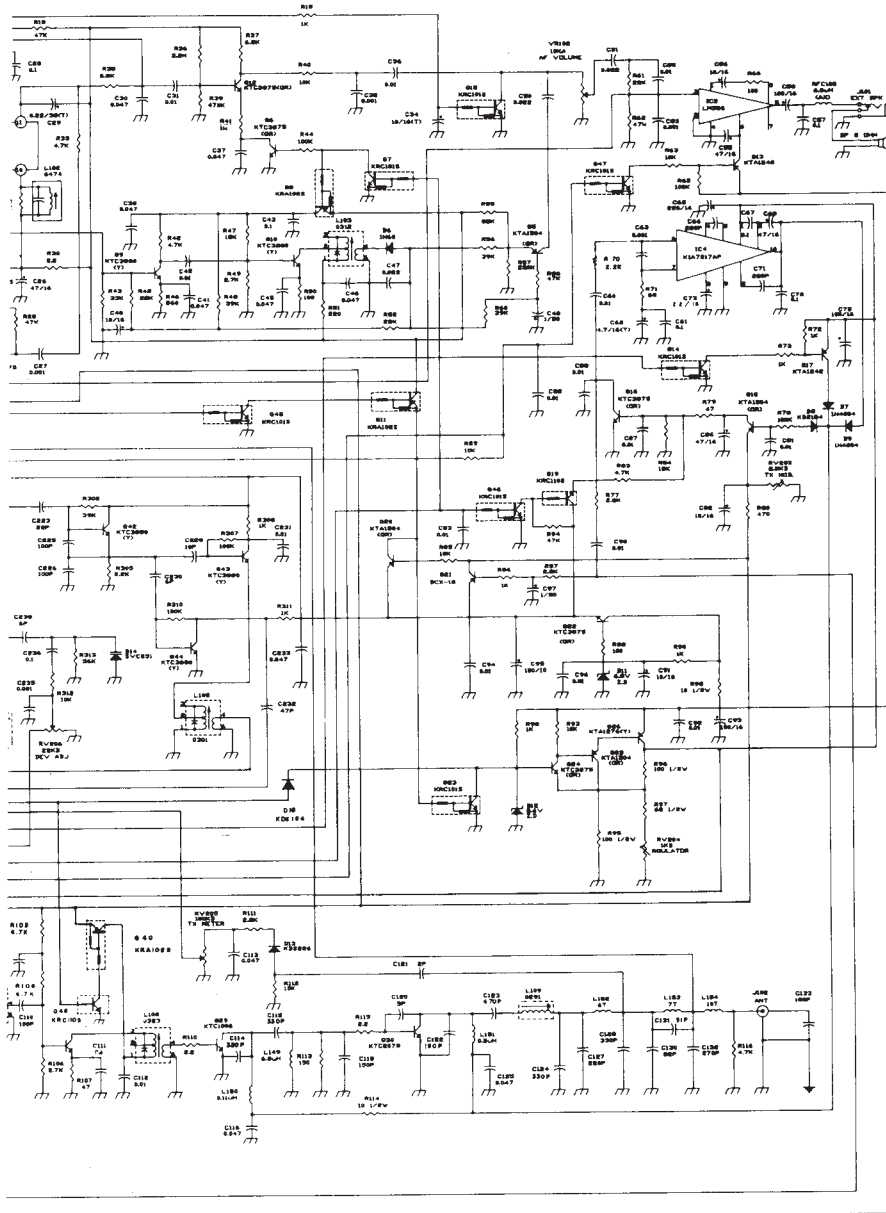


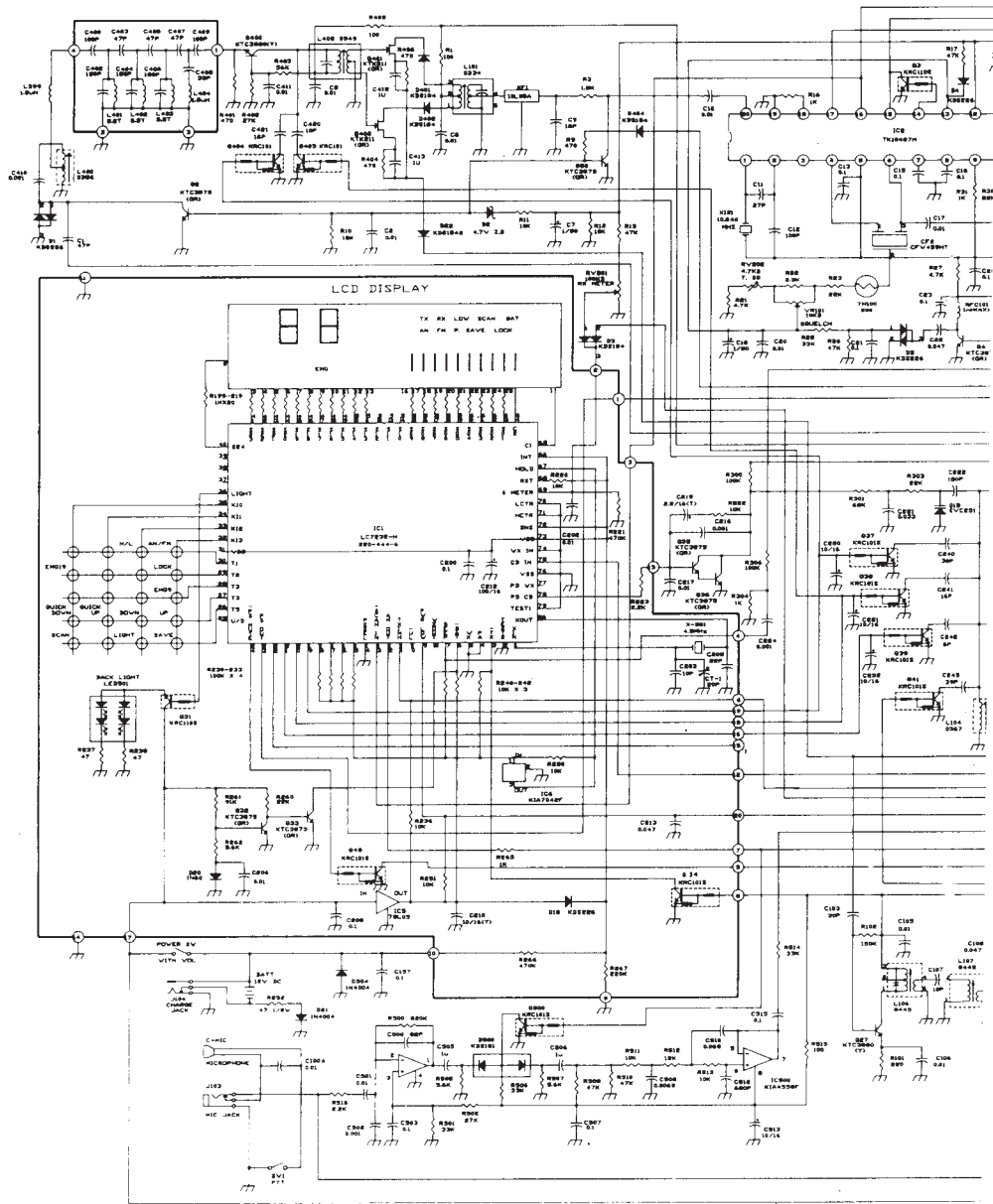
PRINTED CIRCUIT

BLOCK DIAGRAM



SCHEMA A BLOCS





CAL DIAGRAM