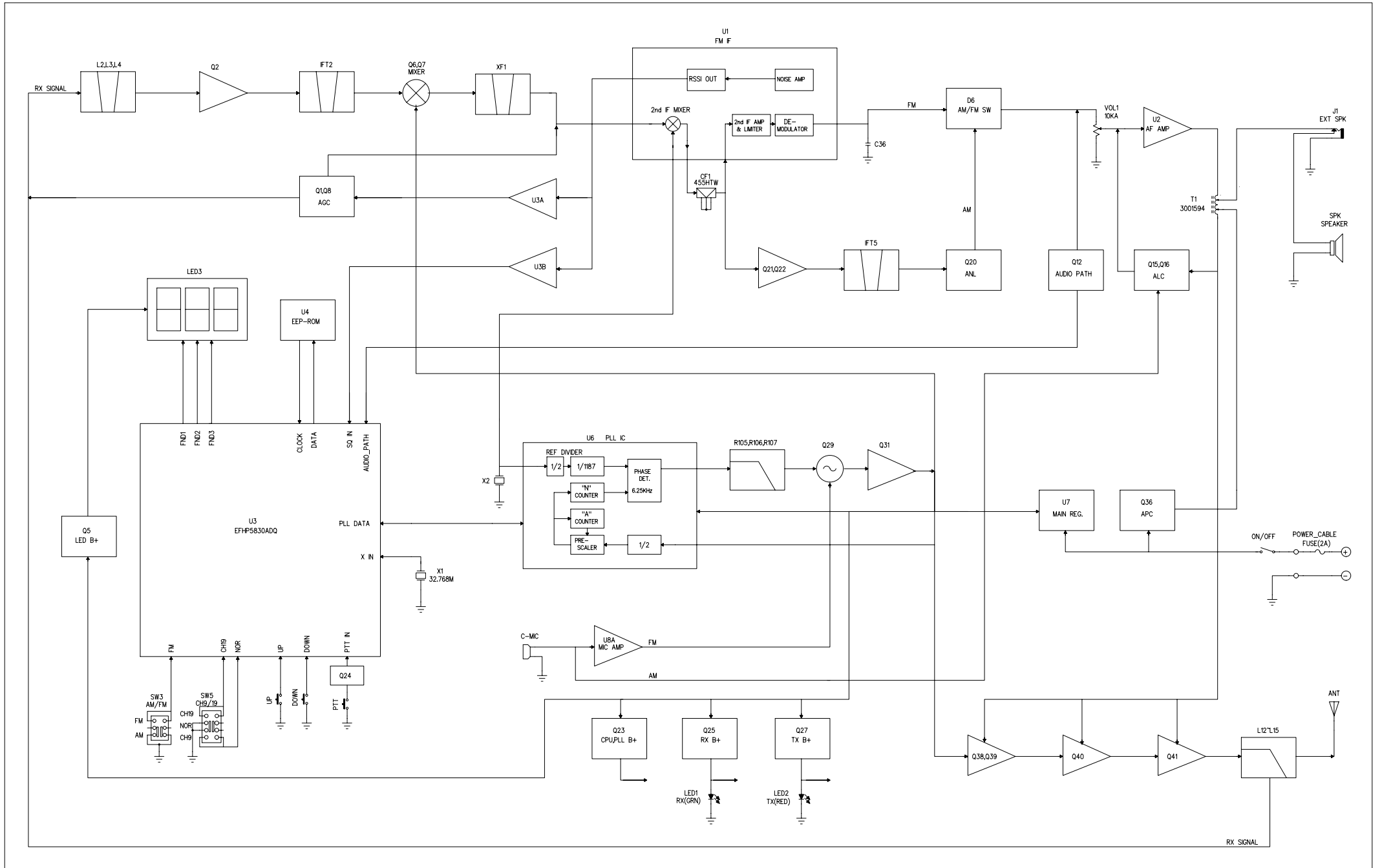
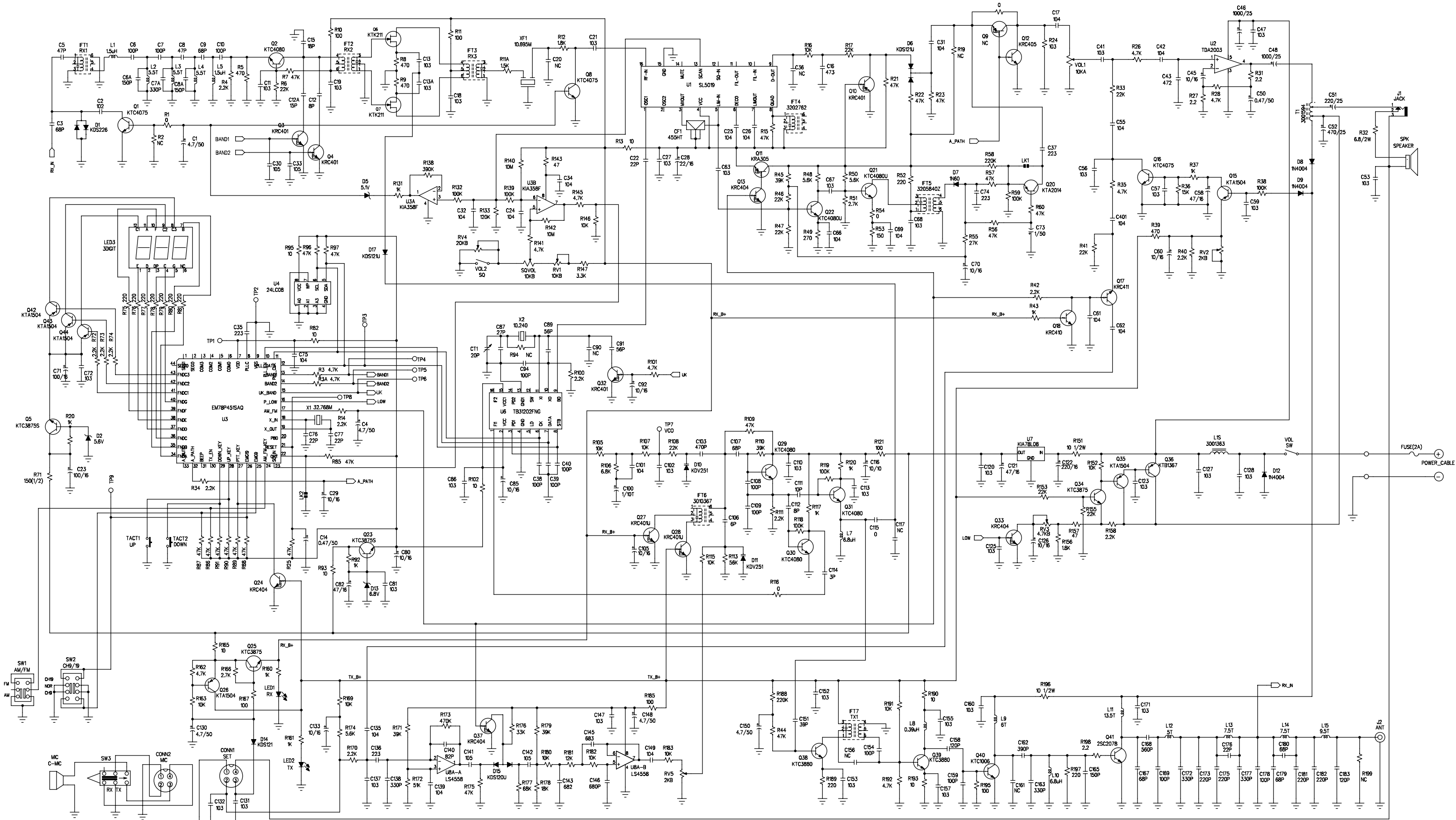


M-120 PLUS BLOCK DIAGRAM





INTEK SRL

| TITLE: M-120 PLUS SCHEMATIC | | | | |
|-----------------------------|---------|-------------|-------------|--------|
| DRAWN | CHECKED | CHECKED | APPROVAL | SHEET |
| J.HYANG | | HW.LEE | HW.LEE | 1 OF 1 |
| | | | | REV. |
| 03.MAY.2008 | | 06.MAY.2008 | 06.MAY.2008 | 5 |

