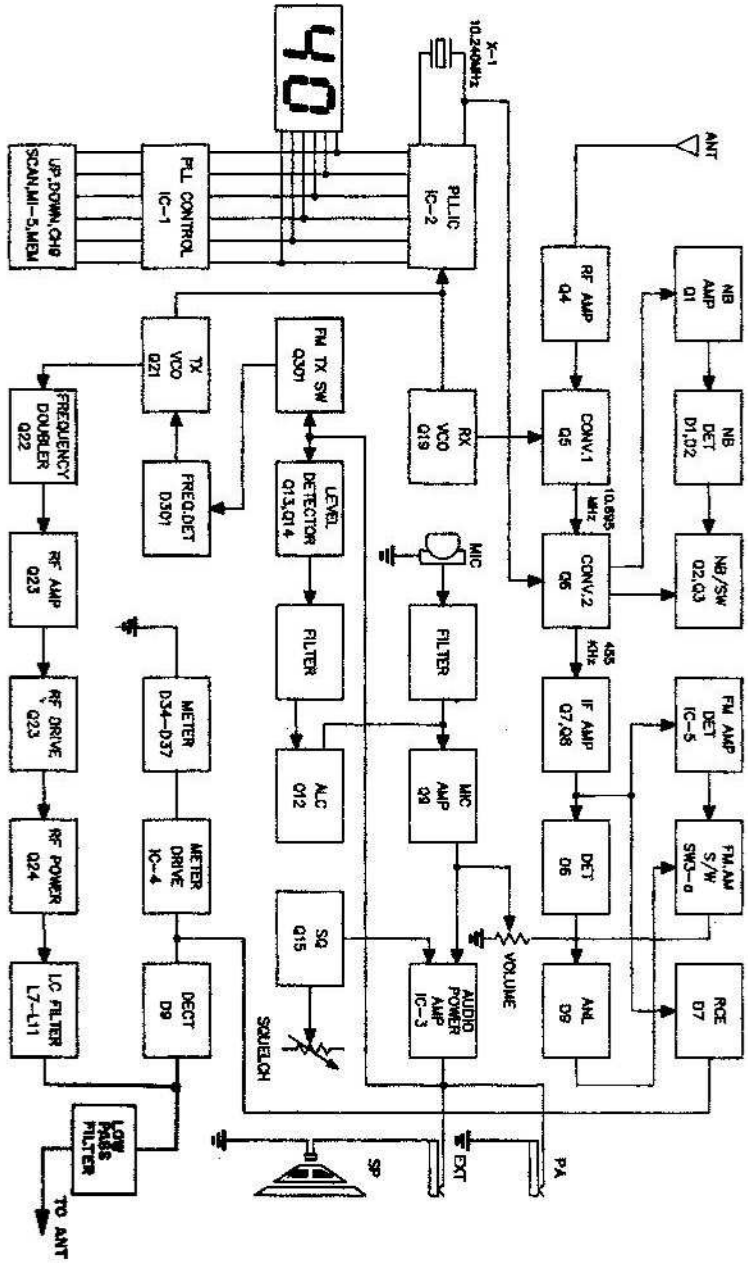
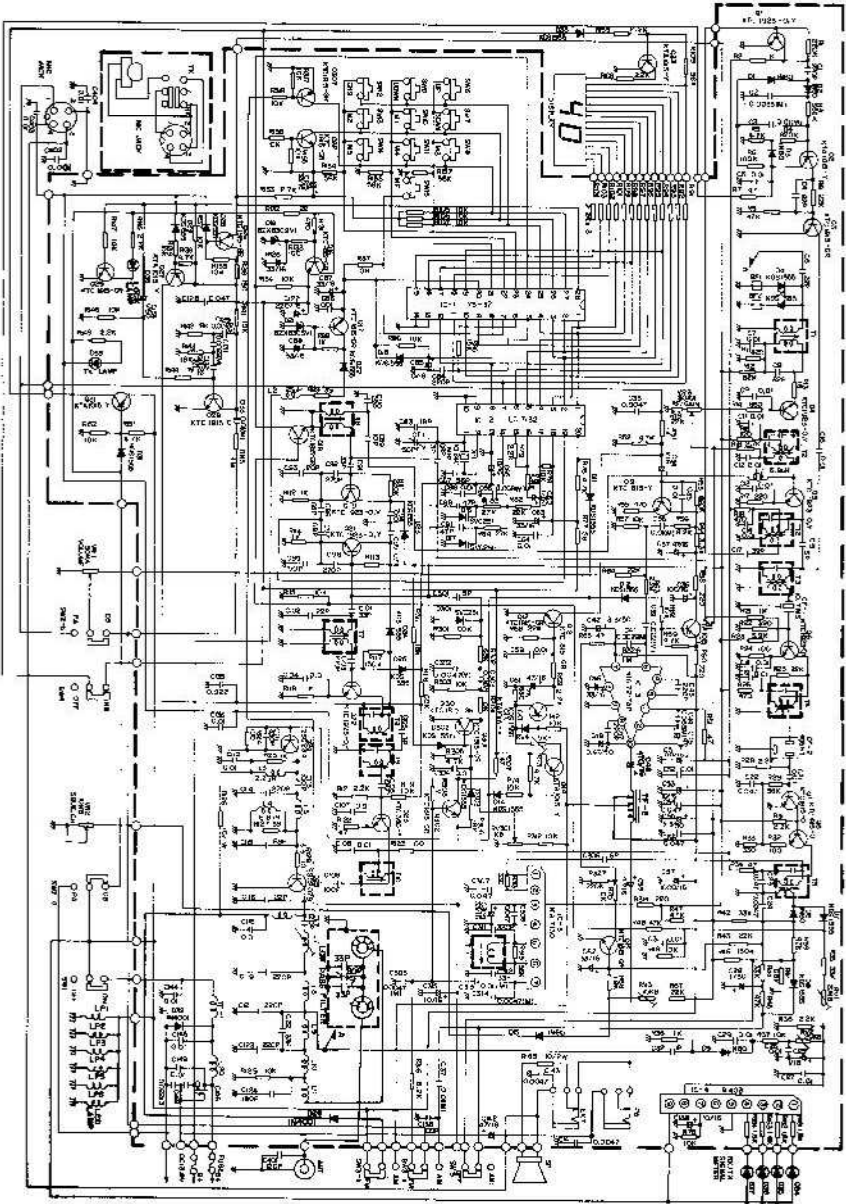


# FUNCTIONAL BLOCK DIAGRAM





SCHMATIC DIAGRAM